

WARMTH OF HEARTH & HOME

DEFRO
home

operating manual

fireplace insert

series DEFRO HOME INTRA

model

XSM SM ME LA XLA

version

BL BP

G T C U

MINI

option

Compact 1

DEKLARACJA ZGODNOŚCI WE
DECLARATION OF CONFORMITY EC

no. DH 1/P1/01/2022

DEFRO R. Dziubeła spółka komandytowa

26-067 Strawczyn, Ruda Strawczyńska 103A

DEKLARUJE / DECLARES

z pełną odpowiedzialnością, że produkt / *with all responsibility, that the product*

Wkład kominkowy / Fireplace insert

DEFRO HOME INTRA

(typ/type DEFRO HOME INTRA)

został zaprojektowany, wyprodukowany i wprowadzony na rynek zgodnie z następującymi dyrektywami:
has been designed, manufactured and placed on the market in conformity with directives:

Rozporządzenie Parlamentu Europejskiego 305/2011 / Regulation of the European Parliament 305/2011

Dyrektywa ErP 2009/125/WE / Directive ErP 2009/125/WE

Rozporządzenie Delegowane Komisji (UE) 2015/1186 / Commission Delegated Regulations (EU) 2015/1186

Rozporządzenie Komisji (UE) 2015/1185 / Commission Regulation (EU) 2015/1185

i niżej wymienionymi normami zharmonizowanymi:

and that the following relevant Standards:

PN-EN 13229:2002

dokumentacja techniczna / technical documentation

Wyrób oznaczono znakiem:

Product has been marked:



Ta deklaracja zgodności traci swą ważność, jeżeli we wkładzie kominkowym DEFRO HOME INTRA wprowadzono zmiany, została przebudowana bez naszej zgody lub jest użytkowana niezgodnie z instrukcją obsługi. Niniejsza deklaracja musi być przekazana wraz z wkładem kominkowym w przypadku odstąpienia własności innej osobie.

This Declaration of Conformity becomes invalid if any changes have been made to the DEFRO HOME INTRA Fireplace, if its construction has been changed without our permission or if the fireplace is used not in accordance with the operating manual. This Declaration shall be handed over to a new owner along with the title of ownership of the fireplace.

Wkład kominkowy DEFRO HOME INTRA jest wykonywany zgodnie z dokumentacją techniczną przechowywaną przez:

DEFRO HOME INTRA Fireplace insert has been manufactured according to technical documentation kept by:

DEFRO R. Dziubeła spółka komandytowa, 26-067 Strawczyn, Ruda Strawczyńska 103a.

Imię i nazwisko osoby upoważnionej do przygotowania dokumentacji technicznej: Mariusz Dziubeła

Name of the person authorized to compile the technical documentation: Mariusz Dziubeła

Imię i nazwisko oraz podpis osoby upoważnionej do sporządzenia deklaracji zgodności w imieniu producenta: Robert Dziubeła

Name and signature of the person authorized to compile a declaration of conformity on behalf of the manufacturer: Robert Dziubeła

Dwie ostatnie cyfry roku, w którym oznakowanie zostało naniesione: 18

Two last digits of the year of marking:

Ruda Strawczyńska, 03.01.2022

miejsce i data wystawienia

place and date of issue.

Robert Dziubeła
prezes zarządu / CEO

Dear Customer,

We would like to inform you that we make every effort to offer products of quality fulfilling the most restrictive standards and warranting operational safety. All the devices are produced in accordance with the requirements of relevant EU directives and have a CE safety mark confirmed by the Declaration of Conformity EC.



We appreciate all your comments and proposals regarding our level of service. We appreciate your comments and proposals regarding our devices and the level of service provided by our Partners and Technical Support/Service.

DEFRO R. Dziubela sp.k.

The content of this Operating Manual is a property of DEFRO R. Dziubela sp.k.
Any copying, duplicating, publishing of the content of this Manual
without the prior written consent of DEFRO R. Dziubela sp.k. is forbidden.

Dear Customer,

We would like to thank you for choosing the high-quality DEFRO product which will ensure your safety and operational reliability.

As our customers, you can always count on the help of the DEFRO Service Centre, which is ready to ensure the continuous efficiency of your fireplace.

Please note that in order to use the fireplace safely and efficiently, it is crucial to get familiar with the following directions.

- Get familiar with this Operating Manual - useful remarks concerning the proper operation of the fireplace can be found there.
- Determine whether all parts have been delivered or the equipment has been not damaged during transport.
- Check the data on the rating plate against the warranty card.
- Prior to starting the fireplace, check the flue connection against connection recommendations included in this manual and appropriate national regulations.

Basic usage rules are to be obeyed while using the fireplace. Do not open the doors during the operation of the device.

DEFRO Service Centre or Authorized DEFRO Service should be always contacted when any intervention is necessary because only these parties have original spare parts and are properly trained within the scope of installation and operation of DEFRO boilers.

For your safety and boiler use convenience please get acquainted with this operating manual and send back a correctly filled copy of the Warranty Card to the following address:



DEFRO R. Dziubela sp.k. - Centrum Serwisowe
Ruda Strawczyńska 103a
26-067 Strawczyn



serwis@defro.pl

By sending back your Warranty Card, you will be registered in our DEFRO heating boilers users database and we will be able to provide you with quick and professional technical support.

If you do not send back a correctly filled in Warranty Card and the fireplace quality and completeness receipt within the period of up to two weeks after the date of installation but no longer than within six months, after purchasing, the warranty will become invalid. This results in delays with repairs and the necessity of covering costs of service and traveling expenses.

Thank you for understanding.
Yours sincerely,

DEFRO R. Dziubela sp.k.

Table of contents

1.	INFORMATION	5
2.	BASIC SAFETY RULES	5
2.1.	Safety warnings	5
2.2.	Warnings related to operation	6
3.	INTENDED USE	6
4.	TECHNICAL SPECIFICATION	6
4.1.	Design	6
4.2.	TECHNICAL DATA	8
4.3.	Equipment	16
4.4.	Fuel parameters	16
4.5.	Spare parts	16
5.	TRANSPORT AND INSTALLATION	16
5.1.	Transport and storage	16
5.2.	Working environment	16
5.3.	Hot air distribution system	18
5.3.1.	Gravity system for hot air distribution	18
5.3.2.	Forced system for hot air distribution	18
5.4.	Connection to external air intake	18
5.5.	Installation to the flue	18
6.	USAGE AND OPERATION	19
6.1.	Introductory remarks	19
6.2.	First start-up and operation	19
6.3.	Damping	20
7.	CLEANING AND MAINTENANCE	20
7.1.	Basic operations and cleaning by the user	20
7.1.1.	Cleaning before each starting	20
7.1.2.	Window panel cleaning	21
7.1.3.	Doors/gaskets	21
7.1.4.	Furnace chamber	21
7.1.5.	Flue	21
7.2.	Periodic inspection by authorized service	22
7.3.	Doors disassembly	22
7.4.	Window panel dismantling	22
7.5.	Disassembly of deflector	22
7.6.	Disassembly of claddings made of fire-proof concrete	23
7.7.	Inspection holes	23
7.8.	Shutting the stove down	24
8.	TROUBLESHOOTING	24
9.	MEASURES IN THE CASE OF FIRE IN THE FLUE /SOOT IGNITION/	24
10.	REMOVAL DUE TO WEAR-OUT	24
11.	REMARKS ON FIREPLACE INSERT USAGE	25
12.	PRODUCT WARRANTY TERMS AND CONDITIONS	25
12.1.	Warranty conditions "48h Service"	26
13.	CARRIED OUT WARRANTY REPAIRS AND MAINTENANCE	28
14.	WARRANTY CARD (copy to send back)	29
15.	COMPLAINT FORM	31
16.	COMPLAINT FORM	33
17.	COMPLAINT FORM	35
18.	REGISTER OF INSPECTIONS OF SMOKE DUCT	36

1. INFORMATION

The operating manual is an integral and essential part of the product and must be forwarded to the user also in the case when the property is transmitted. Users should carefully read the manual and save it for the future because all remarks included there are important guidelines concerning safety during installation, usage and maintenance.

Installation of the fireplace must be carried out in accordance with the mandatory standards in the country of destination, according to guidelines of the manufacturer and by qualified personnel. Improper installation of the device may be a reason for personal injuries and damage to property for which the manufacturer is not liable.

A fireplace can be used only for the purpose it was explicitly intended. Any other use should be treated as inappropriate and in consequence as dangerous.

In the case of error during installation, usage or maintenance works caused by non-observance of the legislation, applicable regulations or instructions contained in this manual (or others, delivered by the manufacturer) the manufacturer rejects any contractual or non-contractual liability for resulting damages and the warranty for the device becomes void.

All illustrations, pictures and photos are only indicative.

Versions of the publication

Due to continuous improvement of the product, DEFRO reserves the right to update this publication without prior notice.

The content of this Operating Manual is a property of DEFRO. Any copying, duplicating, publishing of content of this User's Manual without the prior written consent of DEFRO is forbidden.

Manual storage and browsing of its contents

We recommend taking care of this manual and storing it in an easily and quickly available location. If this manual has been lost, damaged or destroyed you should request a copy in the sales outlet or directly from the Manufacturer providing identification data of the product. All the most important information included in the operating manual are marked with "bold" and has symbols pointing out the user's attention to hazards that can be present during the operation of the fireplace insert. The symbols used in the text are explained below:



Danger!

Direct threat to life and health! Non-compliance with the recommendations marked in this way and misuse may result in death or major injuries.



Danger!

Danger from electrical voltage! Incorrect installation and incorrect electrical connections may cause danger to life by electric shock.



Note!

Warning symbol indicating that you should read carefully and understand the given information, to which it relates. Non-compliance with those recommendations may result in major damage to the equipment and create a hazard to the user or the environment.



Danger!

Direct threat to health! Non-compliance with the recommendations distinguished in this way may cause a fire or burns.



Hint!

Informative symbol. Useful information and hints are marked in this way.

2. BASIC SAFETY RULES

2.1. SAFETY WARNINGS



- The national and local provisions should be met.
- The equipment should be installed in compliance with the legal standards applicable in the given location, region or country.
- The equipment should be used by persons (including children) with impaired physical, sensory, and mental capabilities and by persons without experience and required knowledge provided that such operation is not carried out under their supervision or after proper instruction by a person responsible for their safety.
- You should always observe the guidelines given in the operating manual to ensure the correct use of the equipment and to prevent accidents.
- Operation and adjustment should be carried out by adults. Errors and incorrect settings can cause hazardous situations and/or incorrect operation.
- Prior to any operations the user (or any person operating the equipment) should read and understand the whole contents of this manual.
- Equipment should be used only as intended. Each other use is considered as misuse and hazardous as a consequence.
- The equipment should not be used as a ladder or object to lean against.
- Prior to installation, you should make sure that the substrate will resist the force of the equipment considering its weight.
- In the case of disturbances in operation, the equipment can be restarted only when the occurred problem has been removed and the equipment is brought back to its original condition.
- The user is fully responsible for misuse of the product and relieves DEFRO from any civil and criminal liability.
- All types of modifications or replacement of equipment parts with non-original components or without authorization may present a risk for the operator and relieves DEFRO from any civil and criminal liability.
- Incorrect installation or maintenance (incompatible with the contents of this manual), can cause injuries to people, animals or property damage. Then DEFRO shall be relieved of any civil or criminal liability.
- Part of fireplace insert surface is very hot (doors, handle, window panel, flue gas discharge pipe, etc.). You should avoid direct contact with such components without suitable protective clothing or protective equipment such as e.g. heat-resistant gloves.
- Do not touch the window panel after heating up of the fireplace insert.
- Keep children away from the equipment when it is operating because each hot surface can cause burns.
- It is forbidden to use the fireplace when glass is cracked.
- Do not place and dry the underwear on the equipment. Possible dryers for hanging underwear or similar should be located at an adequate distance from the equipment - fire hazard.
- It is absolutely forbidden to open the doors if the flue is on fire. Then call the appropriate services.
- It is recommended to keep a distance 400 mm between hot parts of the fireplace insert and medium inflammable materials; otherwise use commercially available insulation materials. Apply this hint also for furniture, curtains etc. The minimum distances are given in point 5.2 of the operating manual.

- It is absolutely forbidden to use flammable liquid for equipment firing up.
- If the substrate, on which the equipment is located, is made of inflammable materials, such as parquet or floor lining then you should place a protective plate under it (the plate should protrude 250-300 mm from the front of the equipment).

2.2. WARNINGS RELATED TO OPERATION



- Equipment should be shutdown in the case of failure or incorrect operation.
- Fuel used in the fireplace insert should meet the conditions described in this manual.
- Internal parts of the fireplace insert should not be washed with water.
- Avoid contact with water; above all do not wash any painted surfaces until they are fully cured. The coating on new devices is not an anti-corrosion coating; heat-resistant paint achieves its protective properties only after curing under the influence of heat (after several ignitions).
- Do not expose the body to the action of hot air for a long period of time. Do not heat excessively the room where you are staying and where the equipment is installed. It may have an adverse impact on physical condition and be a reason for health problems.
- Equipment should be installed in the rooms with fire protection and equipped with all required components such as supply (with air) and flue gas discharge.
- Fireplace insert and cladding made of ceramics should be stored in rooms free from moisture and they cannot be exposed to adverse effects of the weather.
- It is not recommended to place the body of the fireplace insert directly on the floor and if such floor is made of inflammable materials, it should be properly insulated with non-flammable material.
- To facilitate possible interventions by the technical personnel you should not place the fireplace insert inside the closed rooms and just by the walls which can also disturb air intake.
- Always make sure and check whether doors of the combustion chamber are tightly closed when the equipment is operating.
- Equipment consumes the exact amount of air that is required for the combustion process; it is recommended to connect the fireplace insert to air intake from outside using a suitable pipe and through a special outlet located at the back of the equipment.
- Doors in the devices equipped with a pair of doors located on the opposite sides of the furnace should not be opened at the same time!!!

ADDITIONAL INFORMATION



- You should contact the sales outlet or qualified personnel authorized by DEFRO in the case of any problems. Request original spare parts if the repair is necessary.
- Use only fuel with properties compatible with the recommendations of this operating manual.
- Check and clean flue gas discharge ducts (connecting piece to flue) periodically.
- Store this manual carefully because it should be available for a whole period of equipment operation. In the case of sale or giving the equipment to the other user you should always make sure whether the product has the manual enclosed.

- Request a new copy from authorized sales outlet in the DEFRO company if it has been lost.

3. INTENDED USE

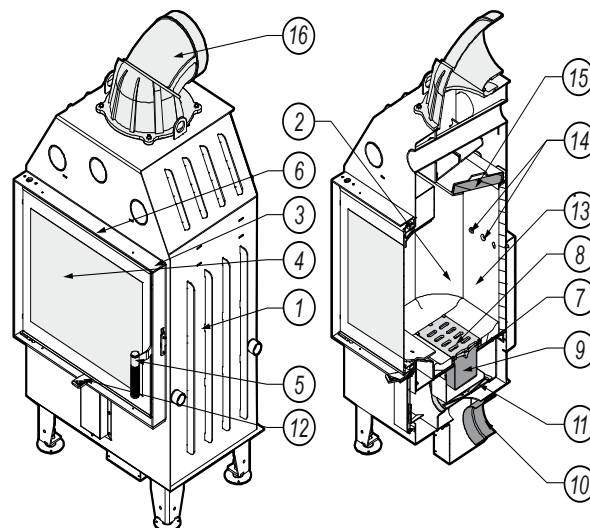
DEFRO HOME INTRA fireplace insert as a furnace with manual fuel charge is intended for enclosing or installation into a recess. Housing should not be permanently bonded with the insert, you should have an option to disassemble it.

The DEFRO HOME INTRA fireplace insert is intended for the combustion of hardwood e.g. beech, hornbeam, oak, acacia, maple, birch etc. with moisture content below 20%. It is intended for heating of houses and spaces where it is installed. It can be also used as an additional source of thermal power.

4. TECHNICAL SPECIFICATION

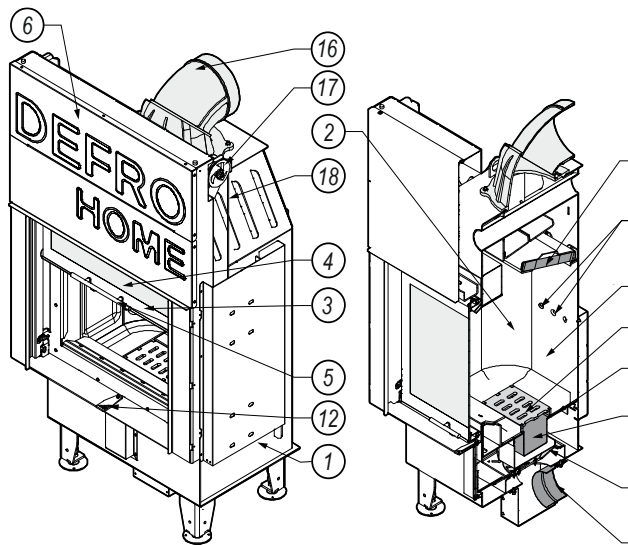
4.1. DESIGN

Body (1, pictures 1, 2, 3) of the DEFRO HOME INTRA fireplace insert is a steel jacket, with a combustion chamber located inside (2). Floor creating chamber for air intake is a basis for the insert. The rear wall and side walls of the combustion chamber are lined with claddings made of concrete insulating refractory. The front wall of the combustion chamber is restricted by steel doors (3) with heat-resistant window panel (4) and lock (5).



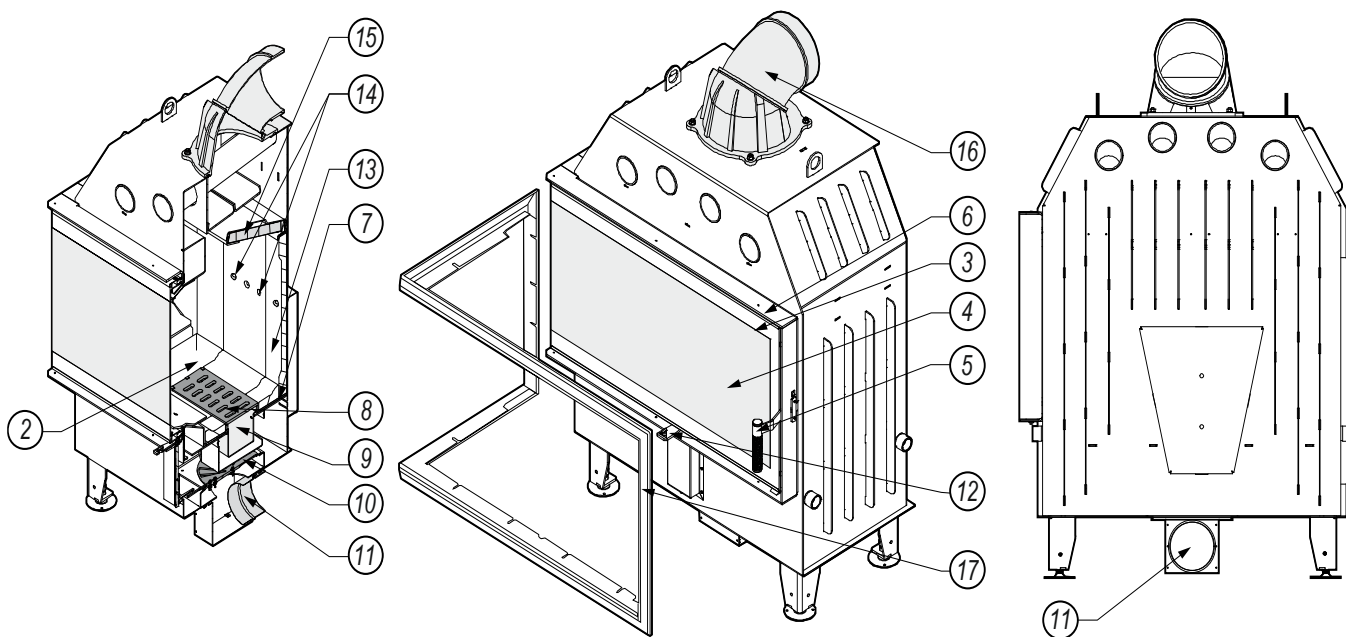
Picture 1. Design of the DEFRO HOME INTRA fireplace insert with swing doors.

1 – body, 2 – combustion chamber, 3 – doors, 4 – heat-resistant glass pane, 5 – handle with a lock, 6 – frame, 7 – floor, 8 – grate, 9 – ash-pan container, 10 – air intake socket, 11 – adjustment of air inflow, 12 – air inflow adjustment slider, 13 – claddings made of fire-proof concrete, 14 – openings from flue gas afterburning system, 15 – deflector, 16 – flue.



Picture 2. Design of the DEFRO HOME INTRA G fireplace insert with lifted doors.

1 – body, 2 – combustion chamber, 3 – side cover of doors lifting mechanism, 4 – heat-resistant window panel, 5 – doors lifting handle, 6 – front cover, 7 – floor, 8 – grate, 9 – ash pan container, 10 – air intake connector, 11 – adjustment of air inflow, 12 – slider for adjustment of air inflow, 13 – claddings made of heat-resistant concrete, 14 – openings from flue gas after-burning system, 15 – deflector, 16 – flue, 17 – unit, 18 – rope with counterweight.



Picture 3. Design of DEFRO HOME INTRA BL and BP fireplace insert (mirror reflection of BL version) with swing doors and side glass sheet.

1 – body, 2 – combustion chamber, 3 – doors, 4 – heat-resistant glass pane, 5 – handle with a lock, 6 – frame, 7 – floor, 8 – grate, 9 – ash-pan container, 10 – air intake socket, 11 – adjustment of air inflow, 12 – air inflow adjustment slider, 13 – claddings made of fire-proof concrete, 14 – openings from flue gas afterburning system, 15 – deflector, 16 – flue, 17 – masking frame

Fuel is combusted on a cast-iron grate (8) installed on the base. Ash-pan container (9) is located under the grate. Deflector (15) is located over the combustion chamber. It directs flue gas flow and improves the degree of heat exchange.

Air necessary for the combustion process is supplied through an air intake socket (11) (air intake) equipped with adjustment mechanism (12). Air intake is located on the floor of the fireplace insert. Openings for the flue gas afterburning system (14) are additionally located in the rear wall of the furnace chamber.

Flue gases are removed to the chimney through a flue (16) located in the upper wall of the fireplace insert.

Table 1. Technical data for the DEFRO HOME INTRA fireplaces.

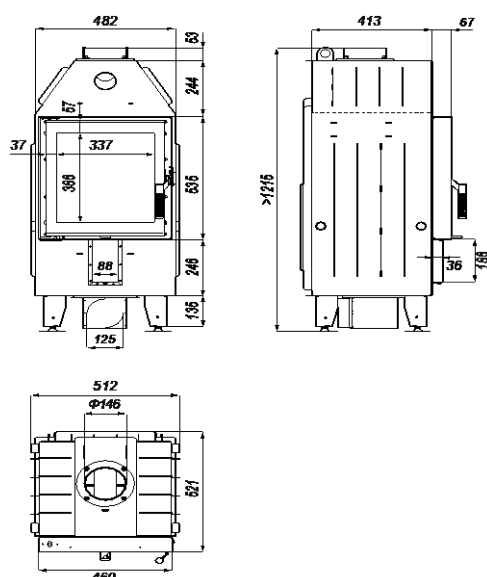
Parameters		DEFRO HOME INTRA								
Name	unit	XSM C XSM BL/BP XSM MINI	XSM	SM	SM U SM U G	SM C SM C G	ME	LA	LA BL/BP LA BL/BP G	XLA
Nominal power	kW	8	8	10	16	10	13	16	16	22
Flue size	mm	150	147	200	200	194	200	200	200	250
Diameter of air intake socket	mm	125	125	125	125	125	125	125	125	125
Efficiency	%	80.9	80.2	80.1	83.3	80.8	80	80.1	81.2	80.0
Seasonal energy efficiency	%	71	70	70	73	71	71	70	71	70
CO emission for 13% O ₂	%	0.049	0.059	0.080	0.0964	0.092	0.060	0.0756	0.080	0.0991
Flue gas temperature	°C	250	276	267	276	239	261	269	264	258
Weight ¹⁾	kg	150±5	154±5	185±5	190±5	172±5	231±5	263±5	336	320±5
Flue gas stream for nominal power	g/s	7.9	7.8	9.7	10.9	11.1	11.9	14.5	13.5	20.6
Minimum draught at rated power	Pa	12±2	12±2	12±2	12±2	12±2	12±2	12±2	12±2	12±2
Fuel consumption	kg/h	2.6	2.7	3.3	4.7	3.3	4.1	5.0	5.1	6.8
Recommended single charge	kg	2.5	2.4	3-3.5 ²⁾	4.3	3.3	3.5-4 ²⁾	4-5 ²⁾	3.9	5-6
Maximum length of chunks	mm	350	250	500	430	330	700 ³⁾	850	400	850
Fuel type	dry hardwood (max. 20% of moisture content)									
Type of heater	of periodic combustion									

¹⁾ Device weight depends on the selected design version and its equipment.

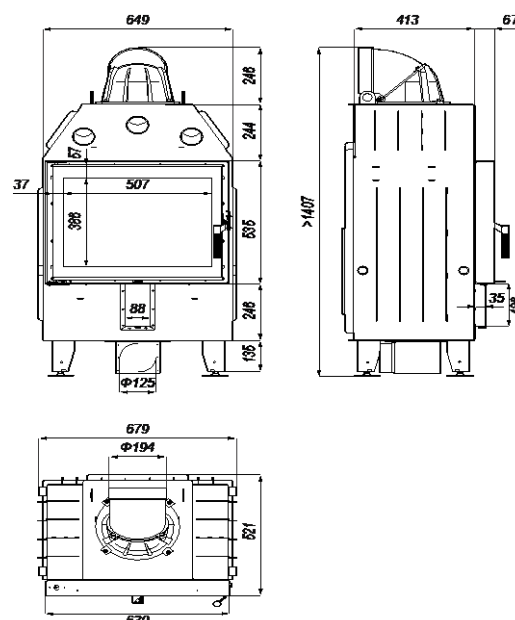
²⁾ Not applicable. to G version, for which the maximum single charge of wood should not exceed 3.5 kg.

³⁾ For BP and BL versions it is 680 mm.

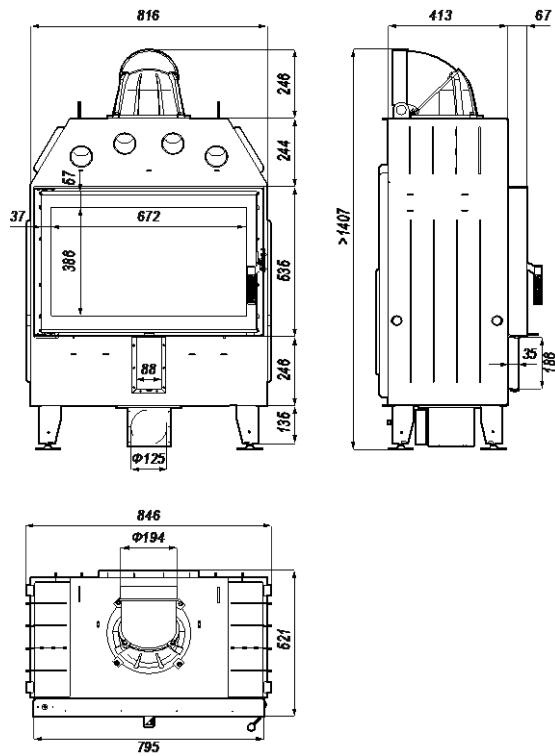
4.2. TECHNICAL DATA



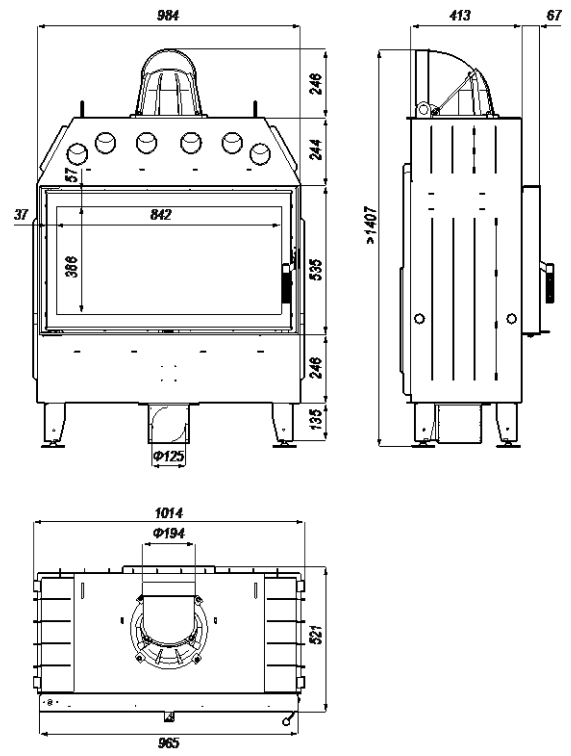
Picture 4. Dimensions of fireplace insert
DEFRO HOME INTRA XSM



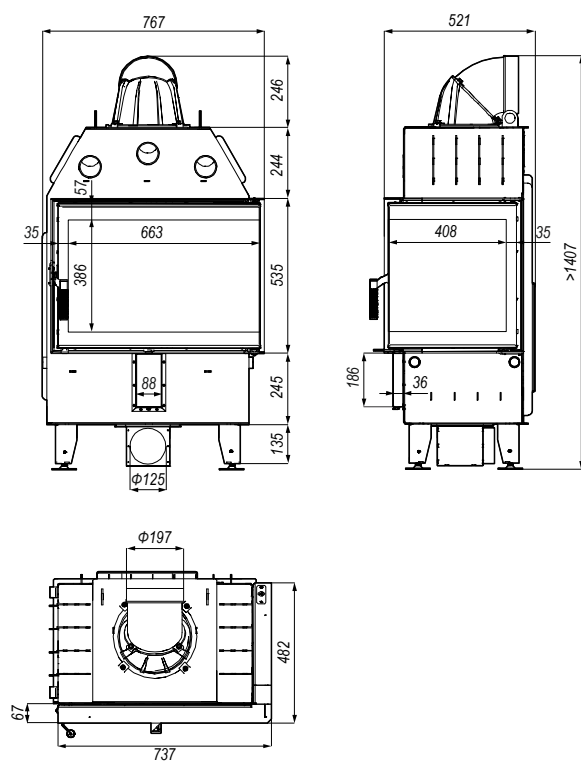
Picture 5. Dimensions of fireplace insert
DEFRO HOME INTRA SM.



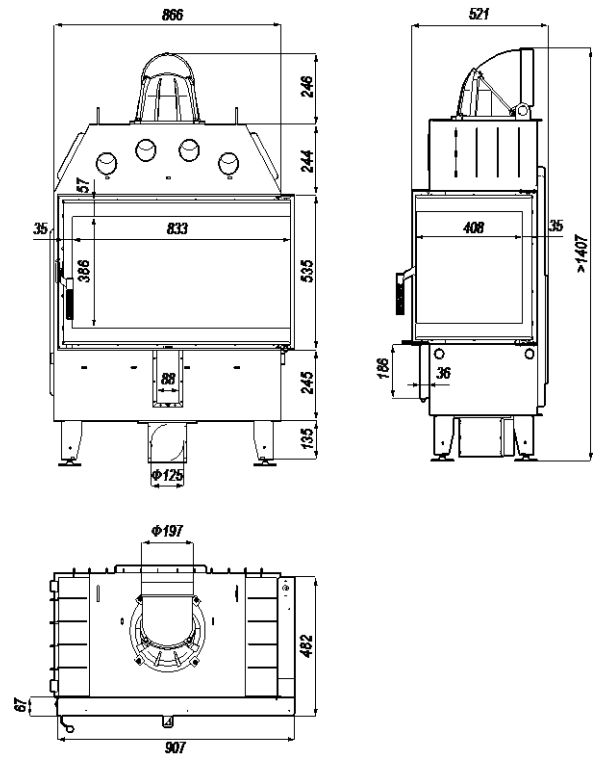
Picture 6. Dimensions of fireplace insert
DEFRO HOME INTRA ME



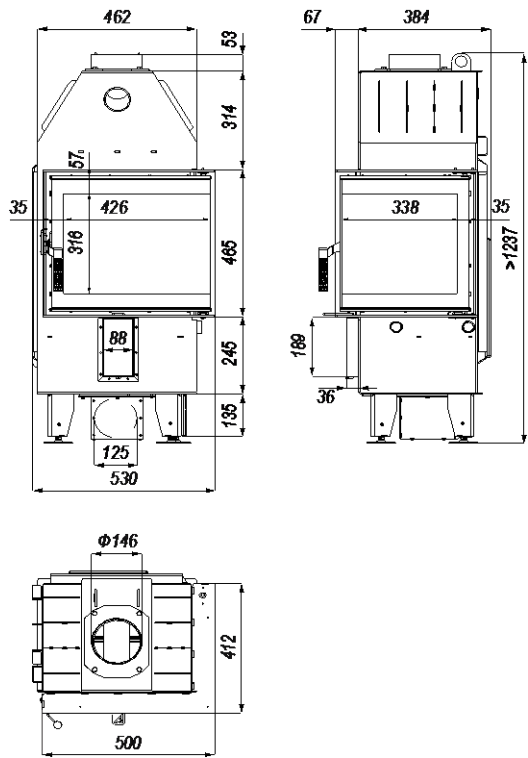
Picture 7. Dimensions of fireplace insert
DEFRO HOME INTRA LA.



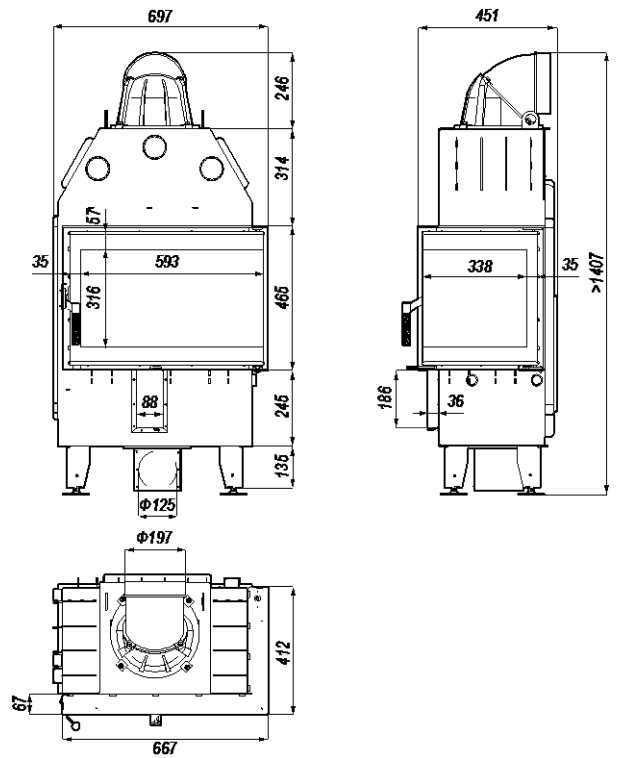
Picture 8. Dimensions of fireplace insert
DEFRO HOME INTRA SM BP.



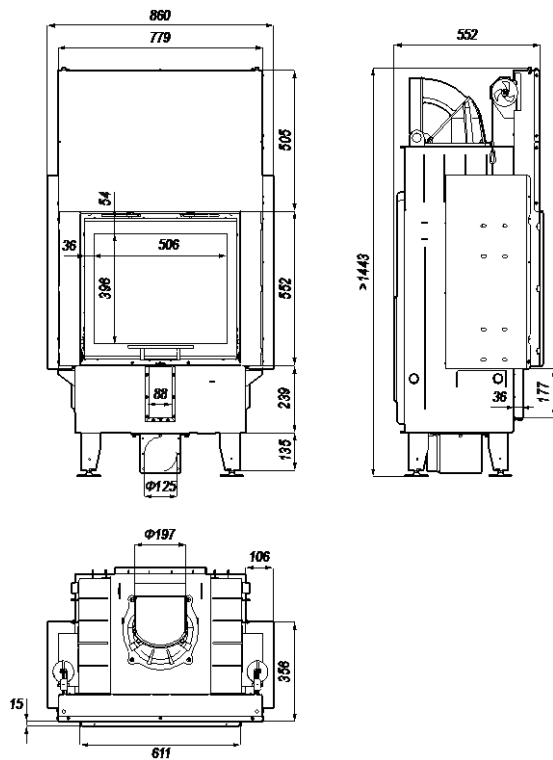
Picture 9. Dimensions of fireplace insert
DEFRO HOME INTRA ME BP.



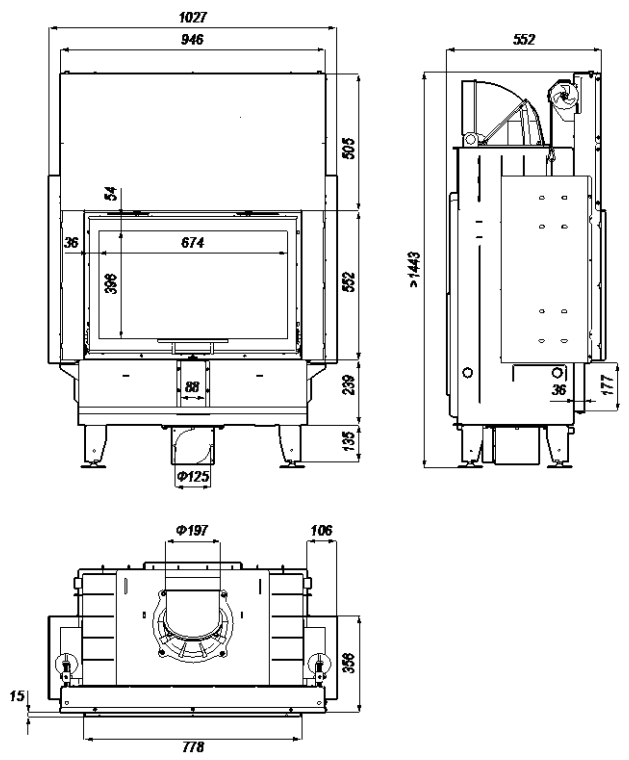
Picture 10. Dimensions of fireplace insert
DEFRO HOME INTRA XSM BP MINI



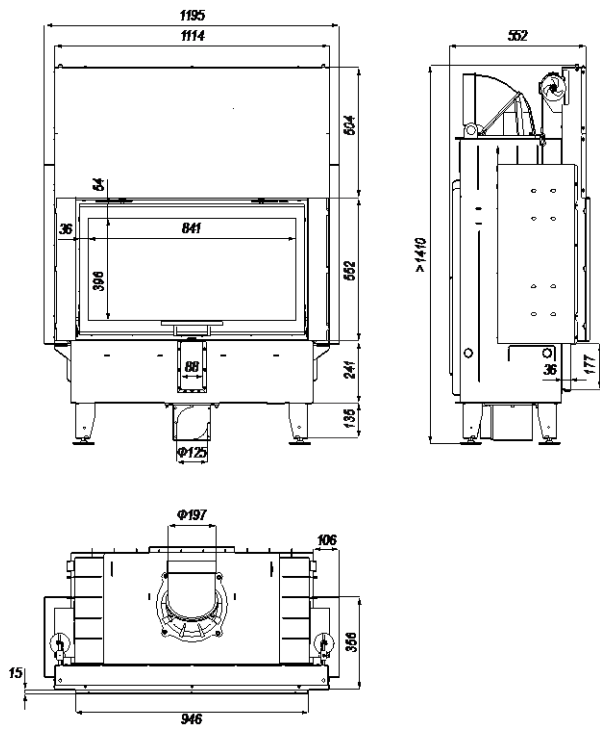
Picture 11. Dimensions of fireplace insert
DEFRO HOME INTRA SM BP MINI.



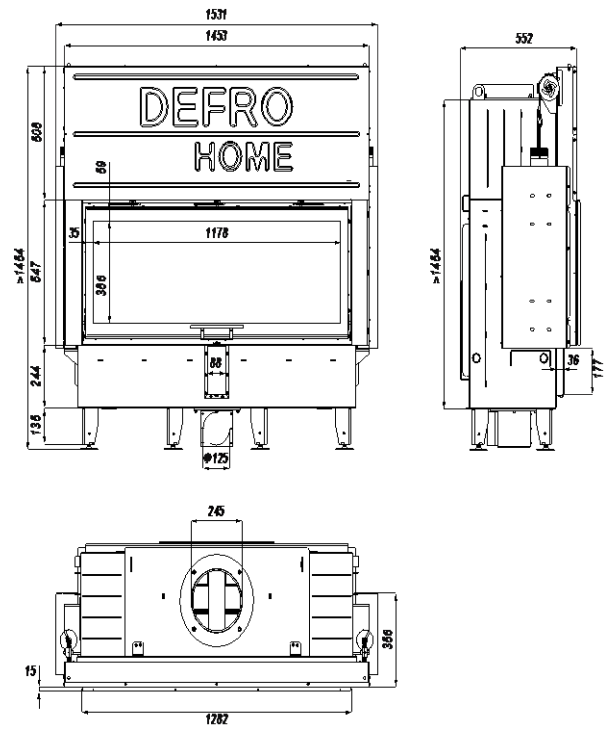
Picture 12. Dimensions of fireplace insert
DEFRO HOME INTRA SM G



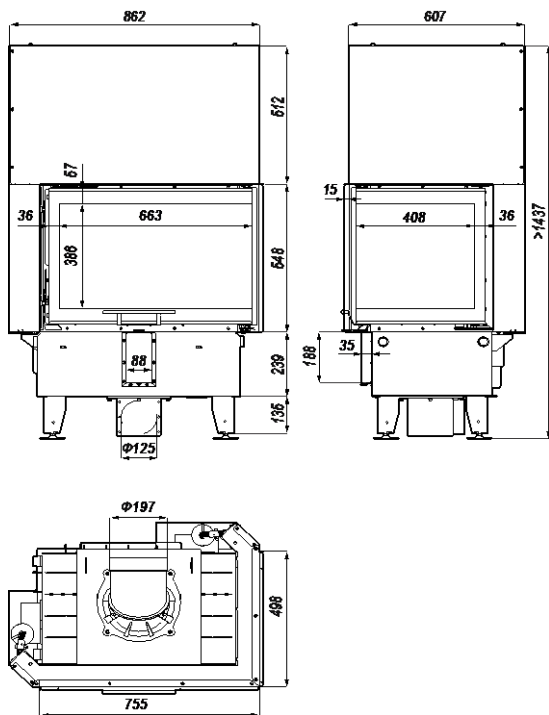
Picture 13. Dimensions of fireplace insert
DEFRO HOME INTRA ME G.



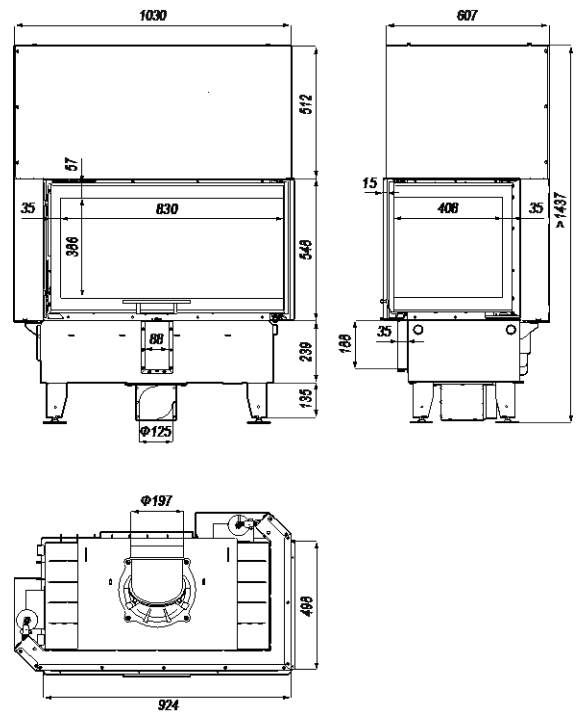
Picture 14. Dimensions of fireplace insert
DEFRO HOME INTRA LA G



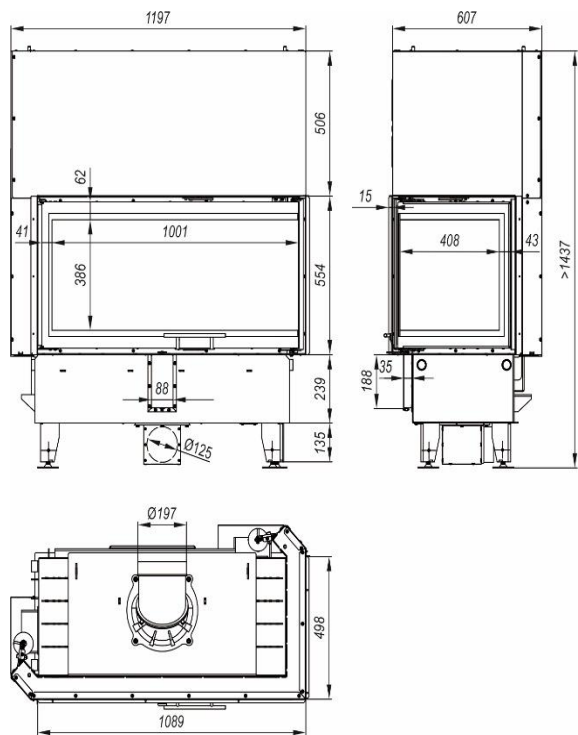
Picture 15. Dimensions of fireplace insert
DEFRO HOME INTRA XLA G



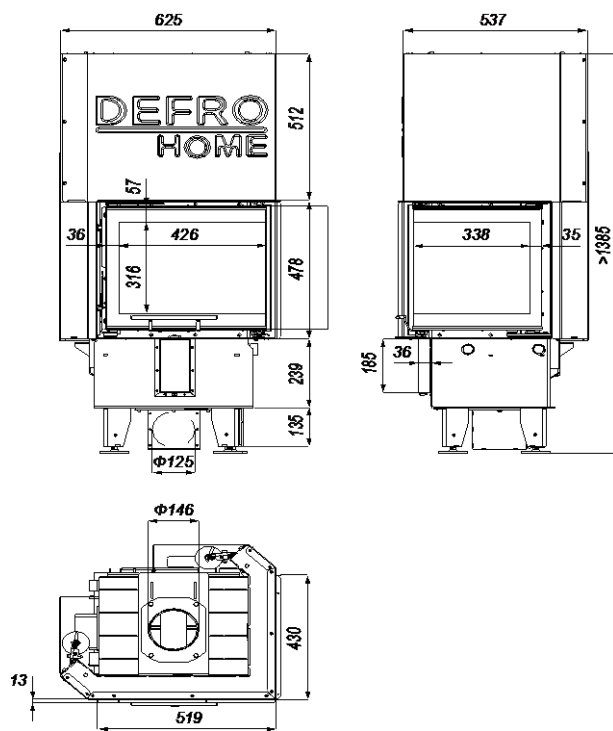
Picture 16. Dimensions of fireplace insert
DEFRO HOME INTRA SM BP G.



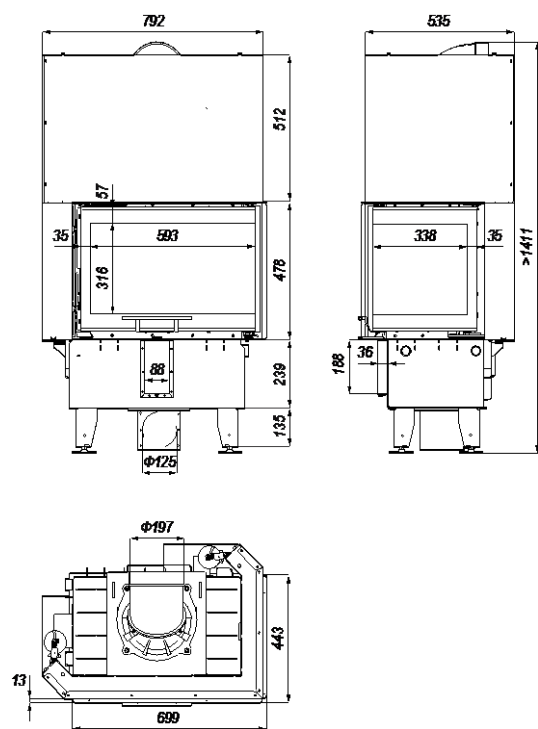
Picture 17. Dimensions of fireplace insert
DEFRO HOME INTRA ME BP G.



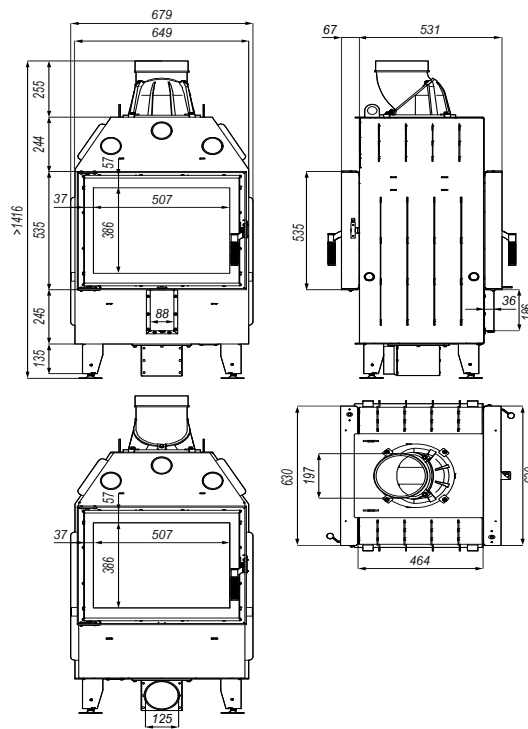
Picture 18. Dimensions of fireplace insert DEFRO HOME INTRA LA BP G



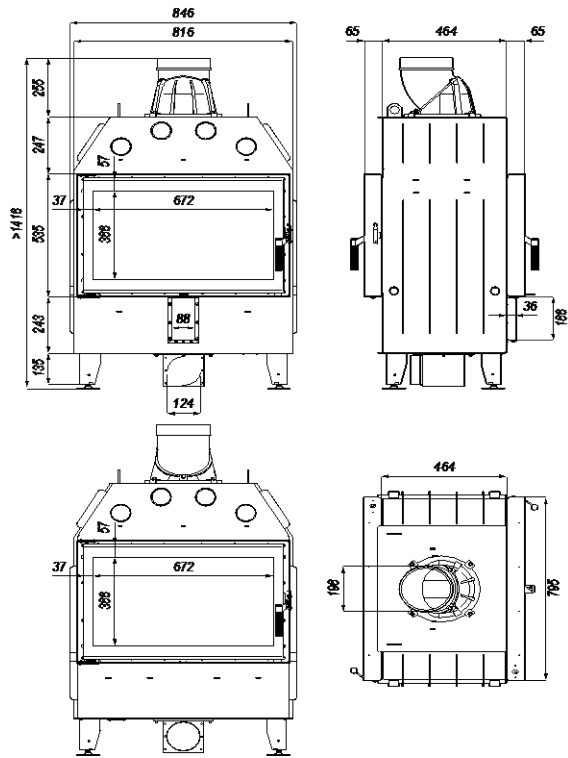
Picture 19. Dimensions of fireplace insert DEFRO HOME INTRA XSM BP MINI G.



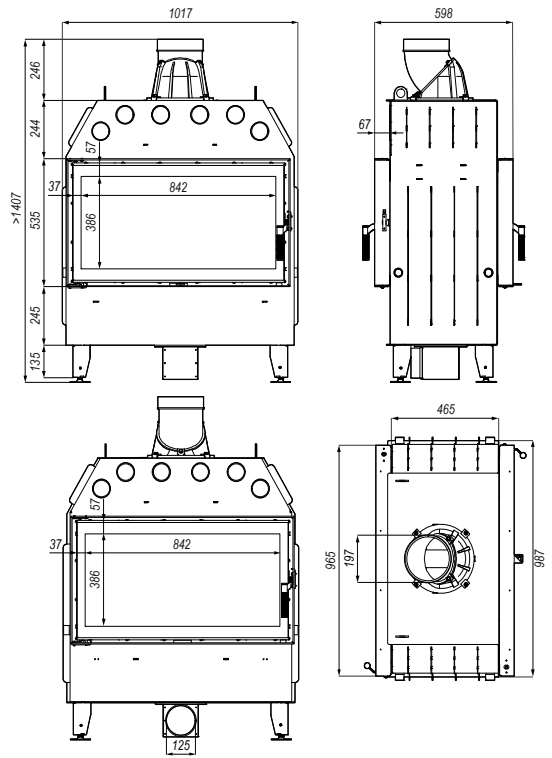
Picture 20. Dimensions of fireplace insert DEFRO HOME INTRA SM BP MINI G.



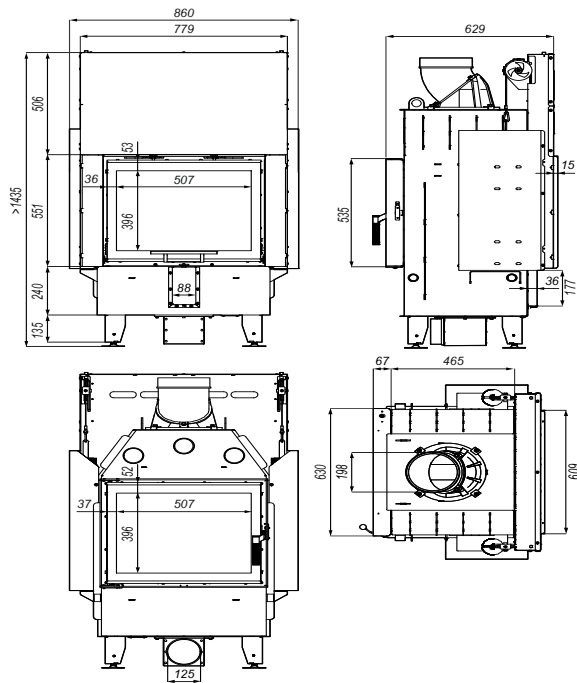
Picture 21. Dimensions of fireplace insert DEFRO HOME INTRA SM T



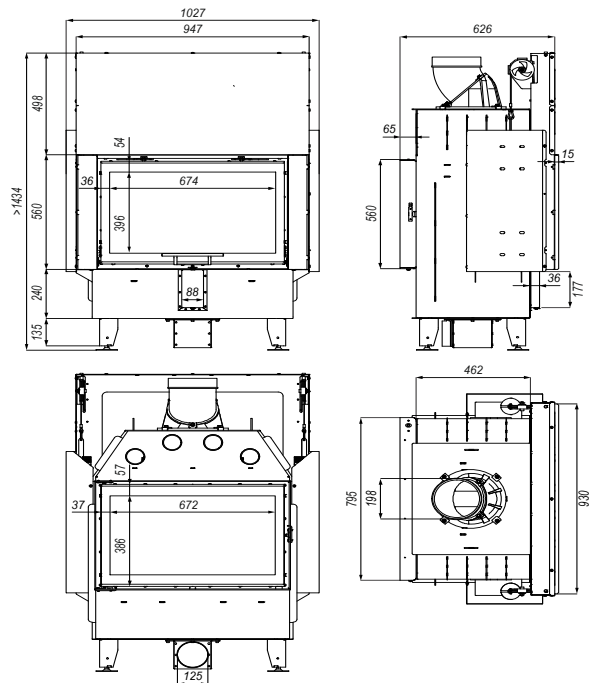
Picture 22. Dimensions of fireplace insert
DEFRO HOME INTRA ME T



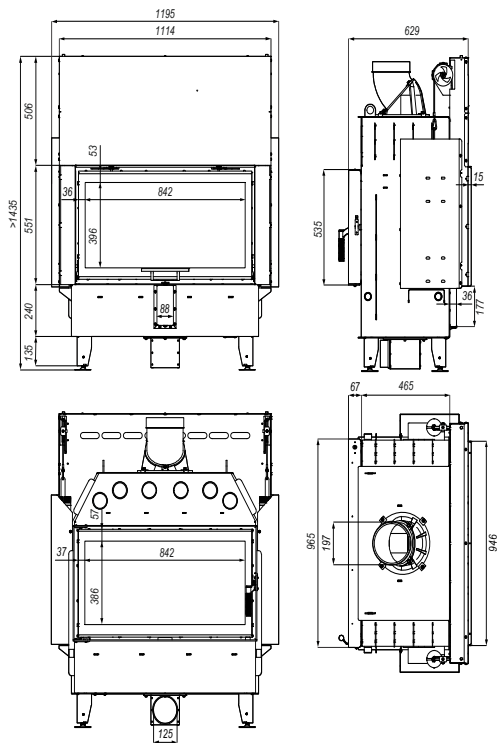
Picture 23. Dimensions of fireplace insert
DEFRO HOME INTRA LA T



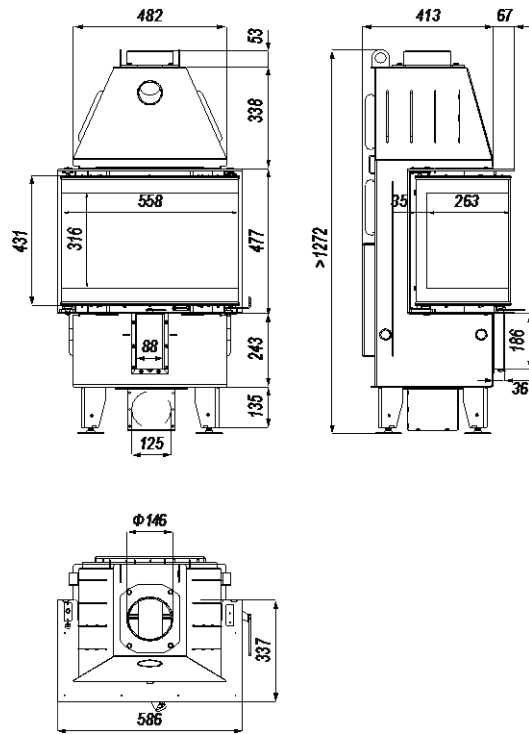
Picture 24. Dimensions of fireplace insert
DEFRO HOME INTRA SM T G



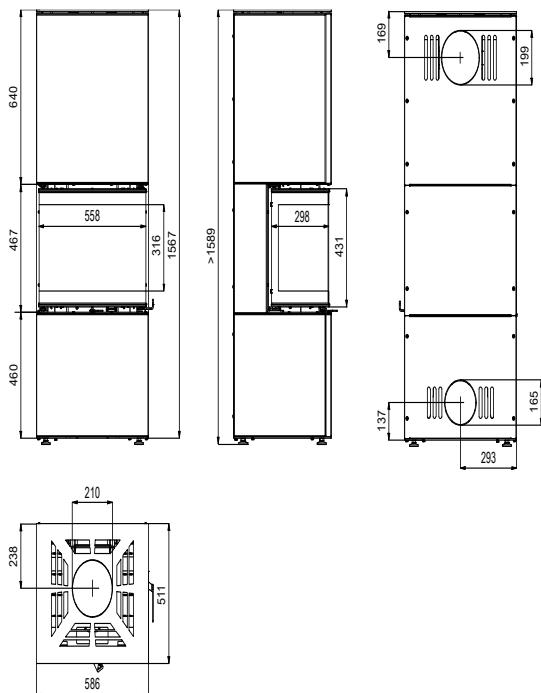
Picture 25. Dimensions of fireplace insert
DEFRO HOME INTRA ME T G



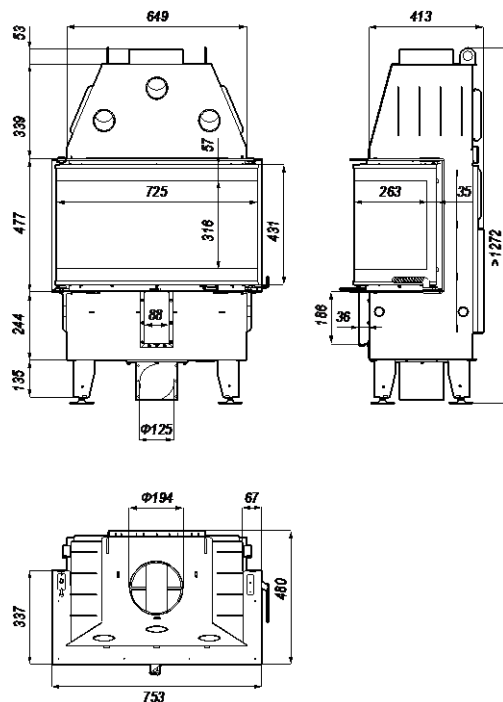
Picture 26. Dimensions of fireplace insert
DEFRO HOME INTRA LA T G



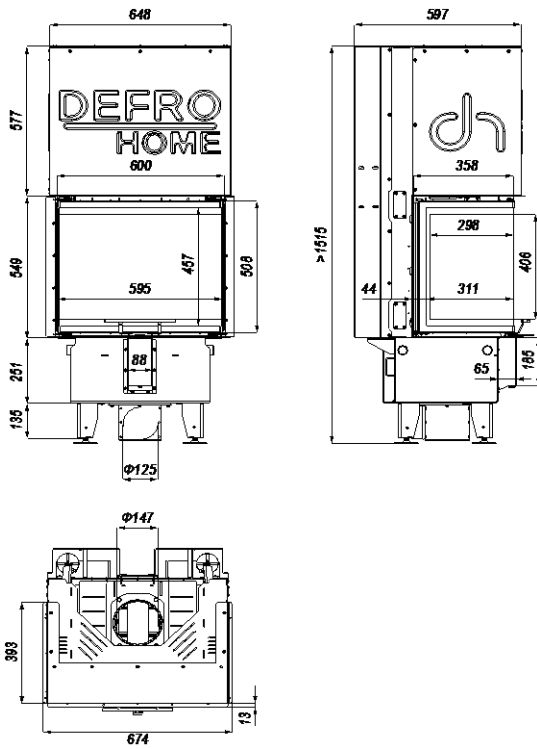
Picture 27. Dimensions of fireplace insert
DEFRO HOME INTRA XSM C



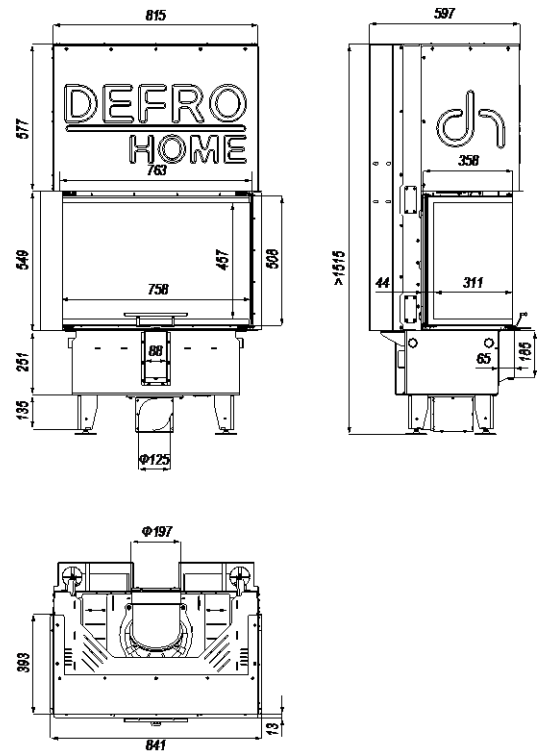
Picture 28. Dimensions of the DEFRO HOME INTRA XSM C fireplace
insert with the installation in the COMPACT 1 option.



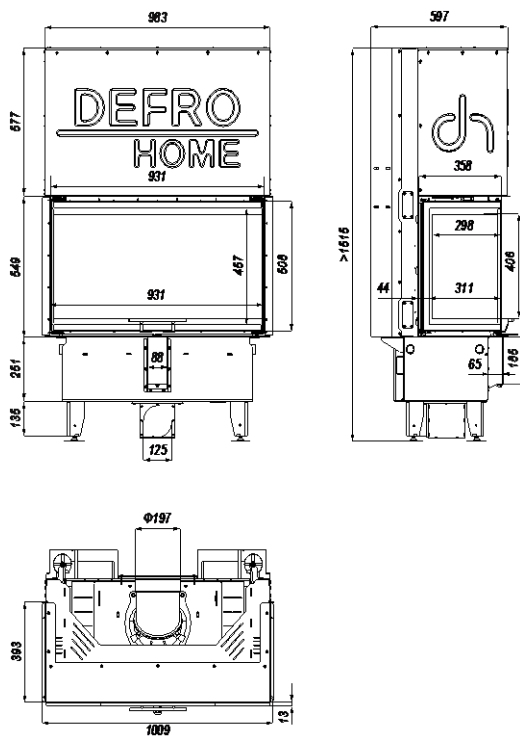
Picture 29. Dimensions of fireplace insert
DEFRO HOME INTRA SM C



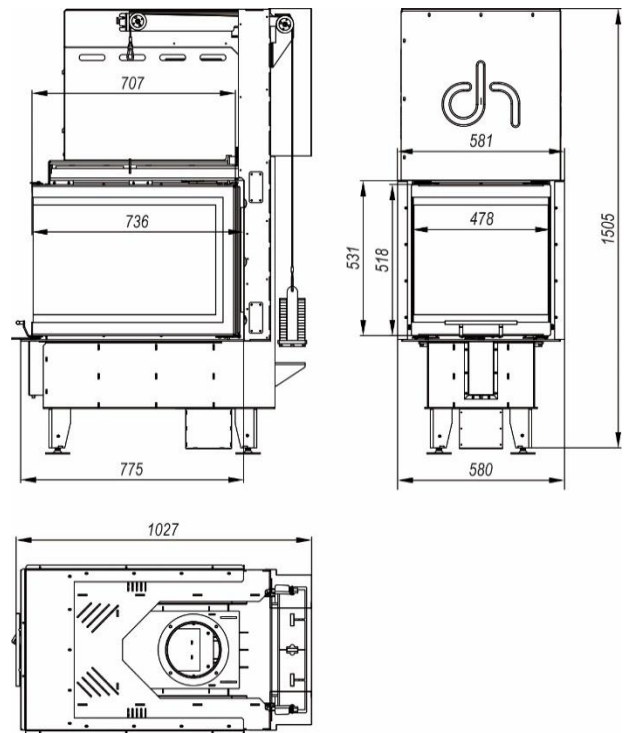
Picture 30. Dimensions of fireplace insert
DEFRO HOME INTRA XSM C G



Picture 31. Dimensions of the DEFRO HOME INTRA SM C G
fireplace insert



Picture 32. Dimensions of the DEFRO HOME INTRA ME C G fire-
place insert



Picture 33. Dimensions of the fireplace insert
DEFRO HOME INTRA SM U G

4.3. EQUIPMENT

Table 2. Equipment of fireplace.

Standard equipment of fireplace	unit	Quantity
Operating manual for fireplace	pcs.	1
Ceramic lining of furnace chamber	set	1
DH sponge	pcs.	1

Fireplace is delivered on a pallet, foil-wrapped and is fully assembled. Scope of delivery can include additional components and sub-assemblies, according to the order. The components which are standard equipment are specified in table

4.4. FUEL PARAMETERS

Fireplace insert is intended for combustion of wood from deciduous trees (oak, hornbeam, ash, beech, birch) with moisture content below 20% (wood seasoned in proper conditions for at least 2 years). The maximum length of chunks is given in table 1. It is allowed to use wood briquet.

It is not allowed to use wet wood (extensive contamination of fireplace and soot emission and decrease of energy efficiency of the device).

It is forbidden to use all other fuels, min. coal, softwood from coniferous trees, wood from tropical trees and any liquid fuels.

It is forbidden to combust all types of litter and wood wastes. Firing with inadmissible materials in the fireplace may result in damage to the fireplace and life and health hazard to the users (toxic flue gas from chemicals).



Use of bad quality fuel or incompatible with the above-mentioned recommendations would cause irregularities in operation of the equipment and can lead to loss of warranty and decline of the liability for the product.

Fireplace is not a furnace intended for combustion of wastes and forbidden fuels cannot be combusted in it.

Wood should be seasoned minimum two (2) years. Firing with wet wood, with low calorific value, decreases the efficiency and has an adverse influence on dry stove lifetime.

It is not recommended to use softwood and resinous woods as a fuel. It causes intensive smoke concentration and the necessity to clean the equipment and flue more often.



It is forbidden to combust coal, wood from tropical trees, chemical products, liquid fuels etc., e.g. oil, alcohol, petrol, naphthaline, laminated, impregnated boards etc., paper, cardboards, old clothes, wastes.

It is forbidden to exceed the recommended amount of charged fuel, because it may cause overheating of the equipment.

DEFRO R. Dziubela sp.k. does not accept liability for damages caused or improper burning of fuel if the fuel used is prohibited.

4.5. SPARE PARTS

To obtain information on the availability of spare parts for the fireplace or inquiries about equipment servicing please contact DEFRO Service Center or Authorized DEFRO Service.

	DEFRO R. Dziubela sp.k. Service Centre Ruda Strawczyńska 103a 26-067 Strawczyn		serwis@defro.pl
---	--	---	------------------------

5. TRANSPORT AND INSTALLATION

5.1. TRANSPORT AND STORAGE

Fireplace is delivered on a pallet, foil-wrapped and is fully assembled. It is recommended to transport fireplace insert, in such packing condition, as close as possible target location for installation, what will minimize possibility of damage to device housing.

All remaining parts of the packing should be removed in such a way that it will not pose any hazard to people and animals.



The fireplace is to be transported in a vertical position!

Appropriate lifts are to be used for lifting and lowering the fireplace insert. For transport, the fireplace insert is to be secured against moving and tilting on a vehicle's platform by means of belts, wedges and wooden blocks.

Fireplace insert is to be stored in a non-heated room, under a roof and with efficient ventilation.

Before the installation you should check completeness of the delivery, its condition and **remove all transport protections!**

In version with lifted doors (G versions) it is obligatory to check the arrangement of ropes with carabiners to ensure that they are led vertically on both sides of the unit, do not catch on the other components and do not jam the mechanism.



Before first lifting of the doors in the G version fireplaces you should absolutely remove the transport protections!

Failure to observe the above recommendation may cause problems in operation of the guillotine mechanism and even lead to its damage. DEFRO R. Dziubela sp.k. shall not be liable for any damages resulting from failure to observe the recommendation.

5.2. WORKING ENVIRONMENT



DEFRO HOME INTRA fireplace insert should be installed in compliance with the requirements of the currently applicable standards and legal regulations and the detailed regulations of the target country. In Poland these conditions are regulated by the Regulation of the Minister of Infrastructure of 12 April 2002 on technical conditions which should be fulfilled by buildings and its location. (Journal of Laws no. 75 of 2002 item 690 as amended) and Polish Standard PN-EN 13229:2002 Inset appliances including open fires fired by solid fuels. Requirements and test methods.

The fireplace insert should be installed in a suitable location allowing opening of the doors and carrying out regular maintenance works. The environment should be:

- adapted to operating conditions,
- equipped with a power supply 230V/50Hz,
- equipped with a suitable flue gas exhaust system,
- equipped with an external ventilation system,
- equipped with an earthing system with the CE certificate.

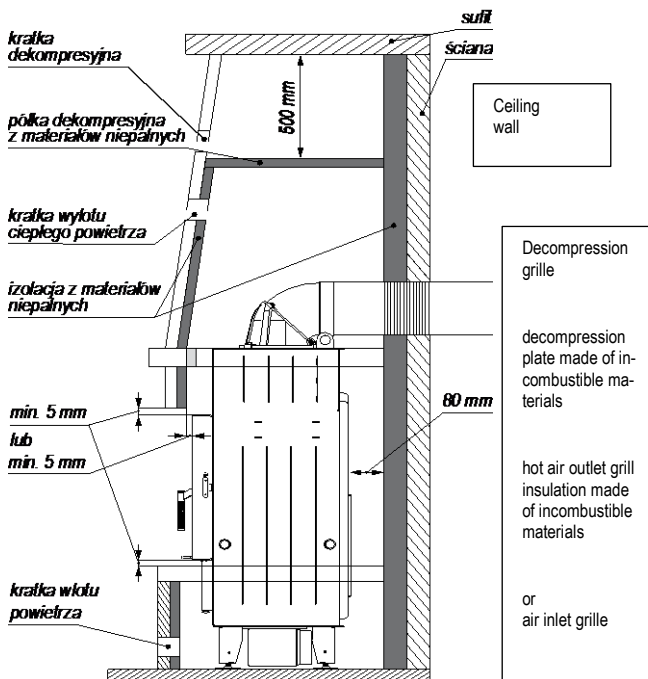
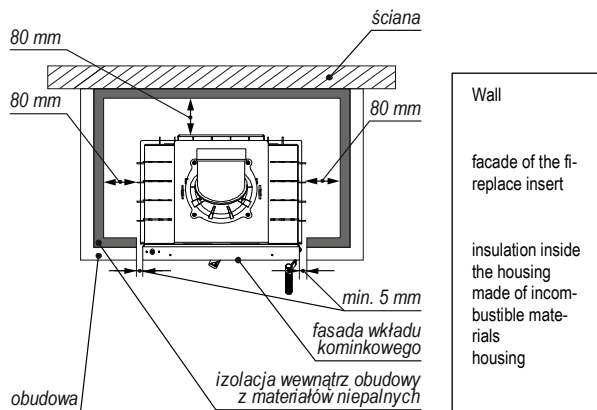
The design of the system should allow assembly and disassembly without damaging the system and the insert.

The correct setting of the insert is necessary to obtain a satisfactory heating level of the residential unit. Prior to assembly, it is necessary to select a suitable position for fireplace insert installation. Check minimum safe distances from materials susceptible to heat or inflammable materials such as load-bearing walls and other walls or wooden components, furniture etc. An exemplary installation of a fireplace insert is presented in picture 34.

Installation of the fireplace insert should observe the following safety rules:

- minimum distance 80 mm on the side and rear of the equipment body from the non-flammable materials.
- minimum distance 200 mm from the side and rear of the medium inflammable materials,
- minimum distance 800 mm from front wall, where the medium inflammable materials cannot be located.
- objects made of highly inflammable materials should be located at distance minimum 2500 mm from the furnace, while for ME, XL and XLA versions this distance should be equal to min. 3000 mm

If it is not possible to maintain the above-indicated distances then you should apply process and building measures to avoid fire hazards. In the case of contact with a wooden wall or wall made of other inflammable material, it is appropriate to insulate the flue gas discharge pipe.



Picture 34. Exemplary installation of fireplace insert.

ATTENTION!!!

Lack of expansion joint may be a reason for equipment damage. Installation of the fireplace inconsistently with the minimum distances from the system results in loss of warranty!!!



In the case of the floor made of inflammable materials, it is appropriate to prepare a plane protecting the floor and execute protection in accordance with the standards applicable in the given country.

The fireplace insert should be located on a substrate with a suitable load-bearing capacity. In accordance with the Polish Standards each square meter of the floor slab in single-family building should

transfer load of 150 kg. If this condition is fulfilled the fireplace insert manufactured by DEFRO can be installed without needing to reinforce the floor slab.

Nonetheless, if you are not sure about the design of the floor slab, where the fireplace insert is to be installed, you should absolutely contact the building designer to reinforce the floor slab or execute special structure distributing the weight on a larger area.



The flooring in the room, where the fireplace is to be installed, should be properly dimensioned, to maintain the load.

To ensure the correct operation of the fireplace insert you should ensure the suitable inflow of air required for combustion (it is appropriate to ensure approx. 40 m³/h) in accordance with the installation standards and standards applicable in the given country. The volume of the surrounding environment should not be less than 30 m³. You should assume that the combustion of 1 kg of wood requires ~8 m³ of air.



If several inserts are to be used in one room the air demand should be met for each insert.



It is forbidden to install fireplace inserts in the G version in so-called "hot" installations. Such installation will void the warranty.

Insert housing should ensure access of air necessary for ventilation, air circulation in the housing. In the bottom part of the installation (under the insert) it is appropriate to ensure air supply openings ensuring air supply for combustion. To ensure the correct discharge of hot air from the hood you should install exhaust openings ended with air grilles. These openings should be made in a way ensuring that they cannot be plugged. They should be ended with grilles. The exhaust grille for the XLA version should be located at a distance not smaller than 70 cm from the ceiling.

It is required to keep the expansion joint around the door frame of the fireplace, that is minimum distance not lower than 5 mm. During designing of the system, it is required to consider also possible assembly of a frame (which is an optional component), to ensure that after its assembly the minimum expansion joint between the frame and the system will be kept.

Fireplaces in the G version are not intended for a so-called "hot" installation due to the required cooling of the doors mechanism. Installation of the DEFRO HOME INTRA G fireplace insert in such a system will void the warranty. It is indicated to use a bigger expansion joint, in particular between front of the body and the installation (it should be from 20 to 30 mm), what translates into longer and trouble-free operation of doors mechanism.

The effective area of the inlet grilles (bottom) should be selected correspondingly to the power of the insert. It is assumed that it should equal to 40 - 60 cm² per 1 kW of power of the insert. Recommended active surfaces:

- fireplace insert power to 10 kW - grille cross-section min. 500 cm²,
- fireplace insert power to 15 kW - grille cross-section min. 700 cm²,
- fireplace insert power over 15 kW - grille cross-section min. 800-1200 cm² and more.

The effective area of the outlet grilles (top) should be bigger by approx. 40% from the effective area of the inlet grilles.

Air can be supplied from adjacent rooms, provided that they are equipped with external air supply and they are not intended for a bedroom and bathroom, and where fire hazard is not present, for example: garages, woodsheds, inflammable materials storage. You should absolutely observe the recommendations of the applicable standards.

The temperature over the insert, inside the hood, is very high. Therefore it is necessary to install a decompression relief plate inside the hood, in a distance of ~40cm from the ceiling of the room. It pre-

vents heating of the ceiling in the room, heat losses and forces the installation of exhaust grilles below it emitting the heat from the relief chamber over the insert. Relief grilles are installed alternately on both sides of the housing - below and over the relief plate.

Outlets from the exhausts, which are operated with the heater in the same room or in the rooms connected with ventilation, may be troublesome.

If the additional heat source is installed then it is required to ensure supply of a sufficient amount of air for combustion and ventilation.



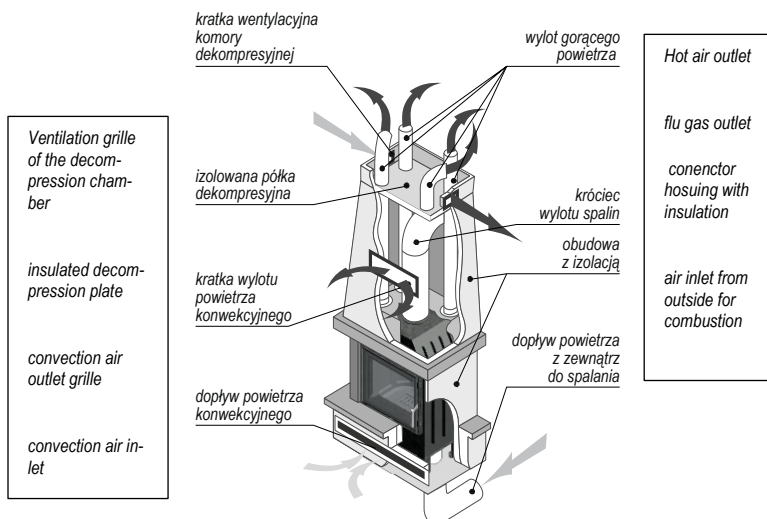
Before installation of the fireplace insert with lifted doors (G versions) you should check the correctness of operation of the lifting mechanism and in particular, you should check the arrangement of ropes with carabiners.

5.3. HOT AIR DISTRIBUTION SYSTEM

5.3.1. GRAVITY SYSTEM FOR HOT AIR DISTRIBUTION

In the case of heating of small areas, e.g. room where the fireplace insert is installed, and adjacent rooms, you should select a gravity system for air distribution, when the hot air will raise upwards to the chamber in heating ducts by way of thermal lifting forces.

Using of the gravity system you should use properly insulated and short (not exceeding 3 m) distributing ducts. For this system, it is not recommended to distribute hot air to too many rooms. Also use of too long pipes (over 3 m from the flue) increases resistance and decreases air flow velocity what causes that gravity flow is not effective.



Picture 35. Hot air distribution system.

5.3.2. FORCED SYSTEM FOR HOT AIR DISTRIBUTION

The application of forced system for hot air distribution (DGP) requires the installation of an air supply device (turbine). It sucks hot air heated by the fireplace insert and forces it to all branches of the system. In such a case you should use a pipe connecting the flue with air supply unit with the biggest possible cross-section and the smallest possible length



Installation of the DGP system should be entrusted to a specialized company, which will check heat demand for the given area and will correctly design the connection system and arrangement of the individual parts.

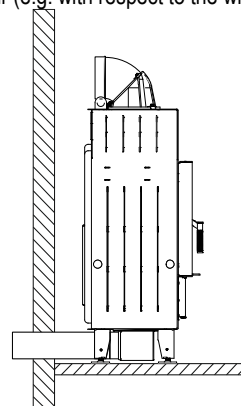
5.4. CONNECTION TO EXTERNAL AIR INTAKE

Room, where the fireplace insert is installed, should be equipped with inflow of air in the minimum amount required for the correct combustion process and for room ventilation. This can be done by executing fixed vents in the wall directed to the outside or through independent or common ventilation ducts.

The external wall near the fireplace insert should have a through opening, protected with grille on the internal and external side, for this purpose.

Furthermore, the air intake should be:

- directly connected with the room, where the fireplace insert is to be installed,
- protected with grille, metal net or suitable cover not restricting minimum cross-section,
- located in a way preventing plugging it,
- located with consideration of proper distances preventing swirling of air (e.g. with respect to the windows).



Picture 36. Connection of fireplace insert to external air intake.

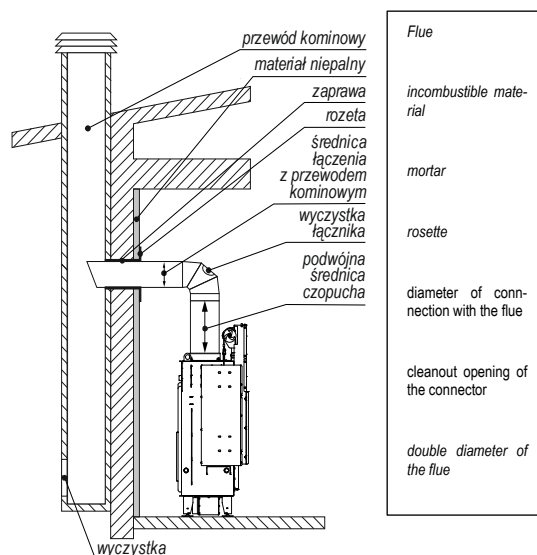
5.5. INSTALLATION TO THE FLUE

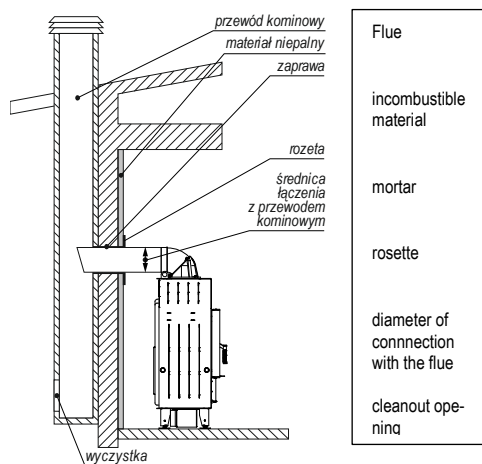
Fireplace insert should be connected to the individual flue. Size of chimney draught should equal:

- minimum draught - 6 ± 1 Pa,
- medium, recommended draught - 12 ± 2 Pa.
- maximum draught - 15 ± 2 Pa.

During the execution of opening for flue gas discharge pipe you should consider the possible occurrence of inflammable materials. If the opening will pass through the wooden wall or wall made of material sensitive to heat then you should obligatorily maintain the minimum distance from flammable material (value given on the certification label of the pipe), with possible additional insulation using proper materials (thickness 1.3 - 5 cm, heat conductivity min. 0.07 W/m °K).

As an alternative it is recommended to use insulated industrial pipe, which can be also used outdoors, to avoid the occurrence of condensate.





Picture 37. Connection of fireplace insert to flue depending on the version (XSM and XLA version on the left, the other versions on the right).

For correct operation connector between the fireplace insert and flue or smoke duct should be executed acc. to the below recommendations:

- horizontal sections should have a minimum slope of 3% towards the top,
- length of the horizontal section should be minimum and should not exceed 2/3 meter,
- a number of changes of directions, inclusive of use of the “T” component, should not exceed 4.

For the version without an elbow on the flue after the outlet from the flue, it is required to use a straight section of pipe of a distance equal to double the diameter of the insert’s flue.

A chimney or individual smoke duct should meet the following requirements:

- be resistant to combustion products, water-proof and suitably insulated, in compliance with conditions of use,
- be made of materials resistant to normal mechanical stresses, heat, the action of combustion products and possible condensate,
- be vertical with the change of axis direction not exceeding 45°,
- be adequately separated with void space or suitable insulation from combusted and inflammable materials,
- have preferably circular internal cross-section: square or rectangular cross-section should have rounded corners with a radius not smaller than 20 mm,
- internal cross-section should be constant, free and independent,
- have a rectangular cross-sections with the maximum ratio between two sides equal to 1.5.



It is forbidden to use mechanical exhaust ventilation when the insert is not connected to external air intake.

The fireplace insert should not be used if the chimney draught is too low.

6. USAGE AND OPERATION

6.1. INTRODUCTORY REMARKS

Prior to installation of the fireplace insert you should make several test fire ups. During test firing up you should check the operation of the chimney damper and the other mechanical systems of the equipment.

During the initial period after installation, the fireplace insert should be operated with power equal to approx. 30% of rated power and increase temperature gradually. It allows gradual removal of internal stresses preventing the occurrence of thermal shocks. Furthermore, such a method of operation improves the durability of the insert.

The fireplace insert is subject to expansion and shrinkage during the warming and cooling down stage what may cause slight squeaks. This is an absolutely normal phenomenon because the structure of the fireplace is made of rolled steel and this phenomenon shall not be considered as a defect.

Do not stay near the stove during several first fire ups. It is also required to vent the room. Smoke, odor of paint, silicone and other materials used for the execution of the installation will disappear after several fire ups. However, we remind you that they are not harmful to health.



It is good practice to ensure efficient ventilation during first firing-up because small amounts of smoke and odor or paint and other materials will be emitted from the fireplace insert.



Do not use a non-installed fireplace insert. Test firing up is an exception.

6.2. FIRST START-UP AND OPERATION



Before first start-up it is obligatory to seal the equipment in accordance with the enclosed manual.

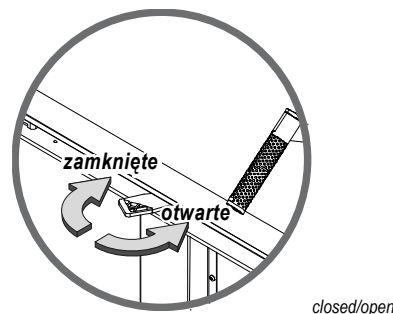
Firing from top is a recommended method of the firing of the fireplaces. Prior firing up you should set a slider of air inflow adjustment to maximum opening (marking on the handle, presented in picture 38). Then, open doors of the fireplace insert and place fuel on the grate as follows: place split thick chunks at the bottom, then another layer of thinner chunks. Place small slivers at the top, where you may additionally place eco-friendly kindling.

It is important to ensure free space (approx. 1 cm) between each of the chunks.

The single fuel charge is given in table 1.



It is forbidden to use other materials than described in this manual for firing up, in particular flammable chemicals such as: oil, petrol, solvents and others.



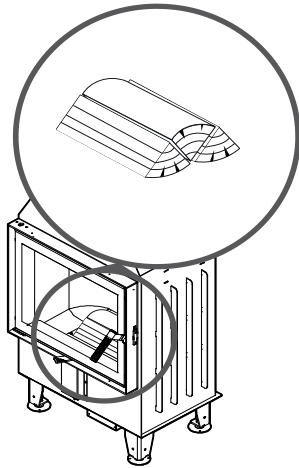
Picture 38. Setting of slider for air inflow adjustment.

If the draught in the chimney is not sufficient then you may unseal by minimum opening of the fireplace doors during initial firing up stage. If the fireplace insert is not supplied with the air from outside then it is required to supply sufficient amount of the air by opening a window in the room where the equipment is located.

You should use only hardwood (recommended beech, oak, hornbeam, birch), preferably debarked, of low moisture content (below 20%).

During combustion the doors should be opened only when the fuel is being added. Recharging should be made only when only an ignition layer, in the form of glow, remains in the furnace. Before adding the wood, it is required to spread the remaining layer of glow and refill the combustion chamber with a wood - in accordance with picture 39. Intensity of combustion process should be set with the “air inflow adjustment slider”. Correct flame should have a light-yellow color and length of approx. 20-40 cm, depending on power of the boiler, after approx. 2-3 minutes from charging. If there are problems to obtain the correct

flame in a short time - you should increase opening of a flow damper and set the target position after firing up.



Picture 39. Method of fuel arrangement



Never stand in front of the fireplace insert door while opening. Burn risk.

The odor of paint from the body will be released during first several hours of combustion. This is completely normal. You should strongly vent the room at that time. Check the tightness of joints once again when fuel is completely burned out and equipment has been cooled down.



Housing components will be very hot during operation. You must exercise caution.

For the fireplaces of higher power (ME, LA, XLA) and doors of large area such as e.g. version with side window panels, there can be a momentary draw back of smoke into the room during opening of the doors. It is normal for such types of fireplaces. If the amount of such smoke is considerable and lasts for a whole duration of doors opening then it is absolutely required to check possible causes acc. to the guidelines given in chapter 8.

During operation, doors in DEFRO HOME INTRA fireplace inserts in the G version can be only opened by lifting. The hinged door opening for these versions is intended only for service purposes and it should not be opened during combustion.



Hinged doors should not be opened during combustion in the case of the G version of the DEFRO HOME INTRA fireplace insert. Lifting upwards is a normal method for the opening of guillotine doors.



It is forbidden to open both doors at the same time when the fire inside the T version (tunnel) fireplace is burning because it may start a fire.

You should control the level of filling of the container with ash. Overfilling of containers results in a lack of cooling of the grate and limits air supply for combustion. To empty this container you should damp a fireplace, close the inflow of air for combustion and wait until the surface and parts of the fireplace insert cool down. Then open doors of the insert, remove the grate and take out the container. Remove ash from the container and re-install in the body of the insert. It is recommended to empty ash container prior to each successive start-up of the equipment.

6.3. DAMPING

Damping is executed by closing the inflow of primary air. In such a case you should wait until the fuel completely burns out in a natural way.

If it is necessary to quickly damp a flame you should charge the furnace chamber with dry sand or ash. It is not allowed to damp a flame by pouring it with water because it may damage components of the equipment.



After a longer break in equipment's operation you should check the flow capacity of the flue.

7. CLEANING AND MAINTENANCE



All operations related to cleaning of all components should be carried out when the fireplace is completely cold and does not operate. It is required to use protective gloves.

It is forbidden to clean the equipment (all painted components and gaskets) using chemicals, liquids and moist cloths, towels, industrial wipers etc. Discolorations, sources of corrosion may occur if the mentioned rules are not observed and they are not covered by the warranty.



It is a good practice to ensure good ventilation of the room during the cleaning of the fireplace.

7.1. BASIC OPERATIONS AND CLEANING BY THE USER.

Any service and maintenance works are to be carried out with meticulous care and only by adults familiarized with this manual. The dry fireplace insert should not be cleaned in the presence of children.



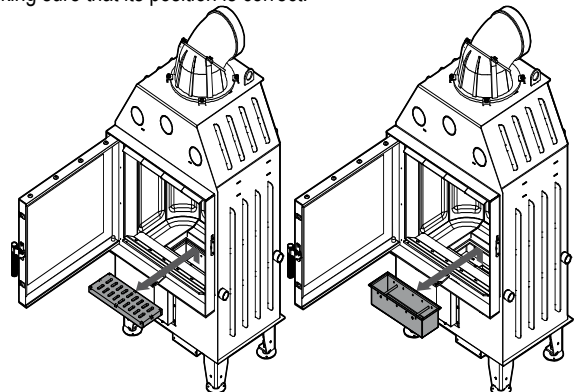
Any service and maintenance works are to be carried out with meticulous care and only by adults familiarized with this manual. The dry fireplace insert should not be cleaned in the presence of children.

Protective gloves, glasses and headgear are to be worn to operate the equipment.

7.1.1. CLEANING BEFORE EACH STARTING

Prior to every successive start-up of the equipment, the ash container should be cleaned and emptied, handling the ash with due care. Remove grate, then ash container (picture below) using handles, and remove the remaining dust. Dust can be removed using a vacuum cleaner only if it is completely cold. Use a vacuum cleaner adapted to removing the particles of specified size for this purpose.

Re-install the ash container below the grate after the cleaning, making sure that its position is correct.



Picture 40. Removal of grate and ash-pan for emptying purposes.

7.1.2. WINDOW PANEL CLEANING

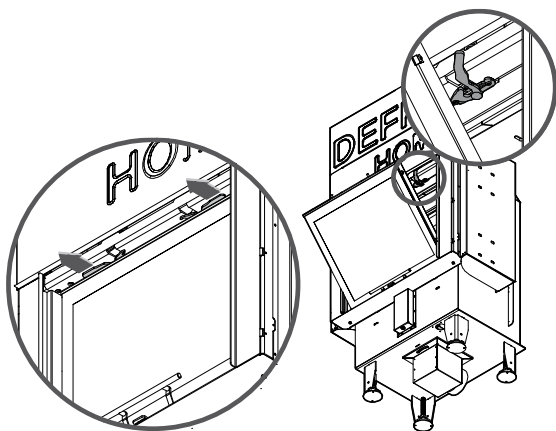
The window panel may be cleaned only and exclusively when the fireplace does not operate and is at room temperature.

Before each cleaning of the glass pane, it is required to protect the painted components and surfaces, and gaskets against flooding, because it has an impact on quicker wear and tear of the components.

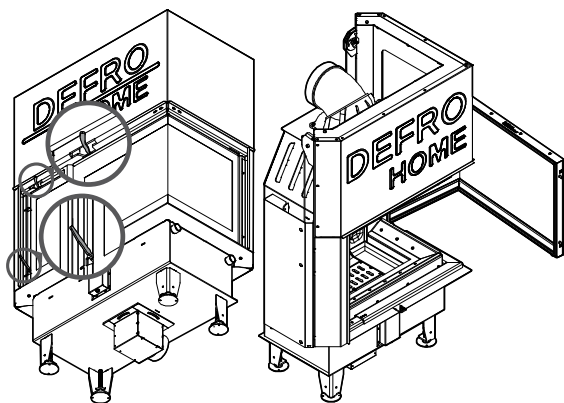
We recommend using only the DH sponge to clean the glass panes. We do not recommend using any liquid for cleaning of glass panes or chemicals. The absence of protection of the cords surrounding the glass panes causes loss of their properties, soaking with chemicals and reactions with high temperature that results in damage to the glass pane.

The sponge is intended only to clean the glass panes, it should not be used for gaskets or metal parts. It is not suitable for cleaning of glass panes with pyrolysis. The sponge may be used several times, depending on degree of soiling of the glass pane. Use gray side for cleaning and brush it off each time after use.

Do not use the products that may scratch the glass pane. The ash may contain substances that will scratch the glass ceramics.

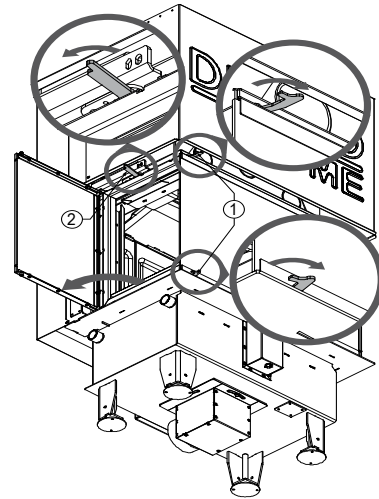


Picture 41. Location of locks allowing opening of the guillotine doors in lifted position for the DEFRO HOME INTRA in the G version.



Picture 42. Location of locks allowing opening of the doors in hinged position in the guillotine doors with side window panel of the DEFRO HOME INTRA fireplace insert in the BP(BL) G version.

The window panel in the DEFRO HOME INTRA fireplace insert in the G version should be cleaned when doors are in the lifted position. Fireplaces with front doors are equipped with locks in the upper part of the doors frame (figure 41). Fireplaces with side window panel are equipped with locks on the top and bottom of the frame on its left side (picture 42).



Picture 43. Location of locks allowing opening of the side window panels in the lifted doors in the DEFRO HOME INTRA C G fireplace insert.

Lifted doors with two side window panels (DEFRO HOME INTRA C G version) are equipped with two pairs of the locks (locks no. 1) intended for the opening of the side window panels. When side window panels are open, it is also required to lock the mechanism intended for lifting the doors by the opening of two locks no. 2



It is forbidden to use abrasive agents or materials, because they may scratch the glass surface.

It is forbidden to use the chemical cleaning agents, because, in the case of contact with such agents they may cause damage to the components of the fireplace insert, that is print on the glass pane, glass pane, gaskets, painted surfaces.



Do not open doors to clean the window panel during the operation of the fireplace. Cleaning of window panel is possible only when the equipment is cold.

Opening of guillotine doors in hinged position and the side window panels in the C version, should be used rarely, only when it is necessary during occasional cleaning of window panels or other service works.

7.1.3. DOORS/GASKETS

Abrasive surfaces of doors and closing mechanisms should be occasionally lubricated with graphite grease. Carry out inspection and cleaning of the whole insert prior to each heating season. Pay special attention to the condition of gaskets, replace them if necessary.

Doors of the fireplace inserts in the G version are equipped with a mechanism allowing free and safe opening and closing. The mechanism is factory set to ensure that doors remain in the upper position and their closing is carried out using only a little force by the user. It is possible to set a mechanism to ensure that doors will be closing automatically and safely. All works related to adjustment and maintenance of the doors mechanism can be carried out only by a qualified service of the manufacturer. Such works should not be carried out oneself by the user.

7.1.4. FURNACE CHAMBER

Clean the furnace chamber of the insert periodically, depending on moisture content and type of wood used.

7.1.5. FLUE

In compliance with applicable regulations, you should clean the flue twice (2) a year. The flue should be cleaned by a chimneysweep company and this fact should be documented in this manual.



Flue gases coming out of the blocked chimney are dangerous. Chimney and connector should be kept clean. They should be cleaned before each heating season.



After a longer break in equipment's operation you should check the flow capacity of the flue.

7.2. PERIODIC INSPECTION BY AUTHORIZED SERVICE

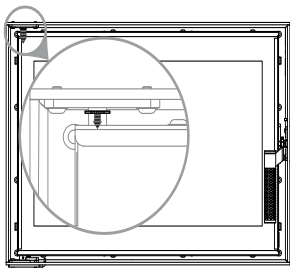
After the heating season, it is necessary to clean the chamber through which flue gas is flowing. This cleaning is obligatory and is intended to remove all combustion residues.



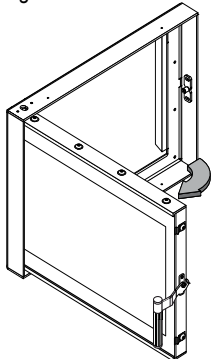
Periodic inspection of the equipment should be carried out only by a qualified manufacturer's service.

7.3. DOORS DISASSEMBLY

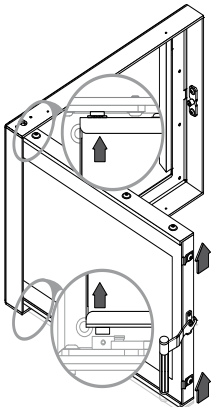
In the G version of the DEFRO HOME INTRA fireplace insert all works related to the doors or their mechanism should be entrusted to the qualified service of the manufacturer.



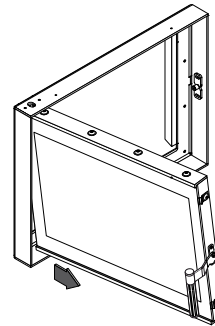
1. Slide protecting ring downwards maximally.



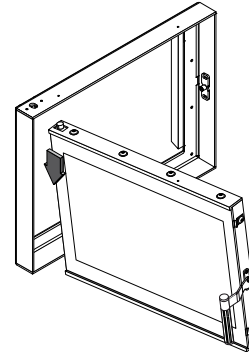
2. Open the doors.



3. Lift the doors fully upwards to remove bottom pin of the hinge from a sleeve.



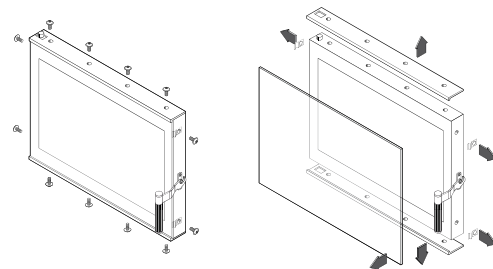
4. Tilt doors from bottom to outside to ensure that bottom pin of the hinge is outside the frame.



5. Lower the doors to ensure that the upper pin of the hinge leaves upper opening of the frame and remove the doors

7.4. WINDOW PANEL DISMANTLING

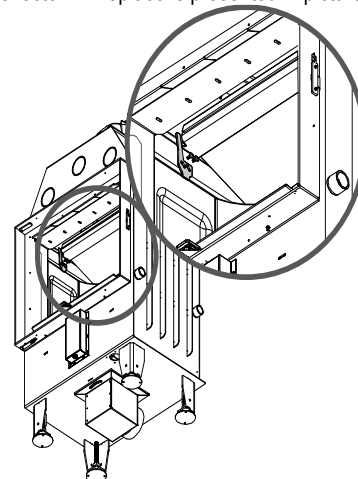
It is possible to disassemble the window panel after the doors have been disassembled. The best way is to disassemble the window panel when the doors are in a horizontal position (e.g. when such doors lie on the table). Version with side window panel: first, remove the front window panel and then side window panel.



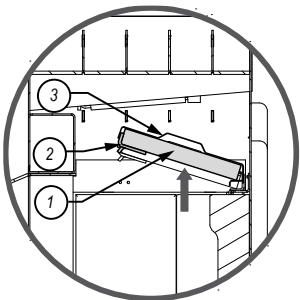
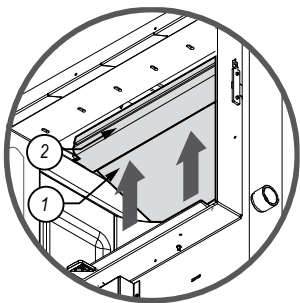
Picture 44. Window panel dismantling from doors.

7.5. DISASSEMBLY OF DEFLECTOR

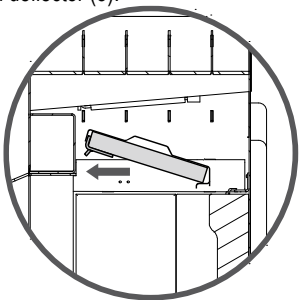
Location of deflector in fireplace is presented in picture 1.



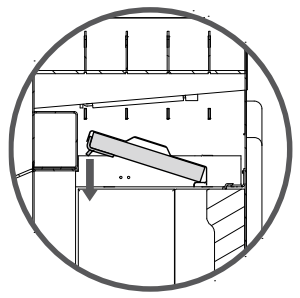
1. Remove the locks of the deflector from both sides of the fireplace insert.



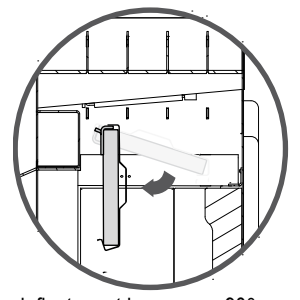
- Lift the deflector made of vermiculite (1) with a supporting beam (2) and steel deflector (3).



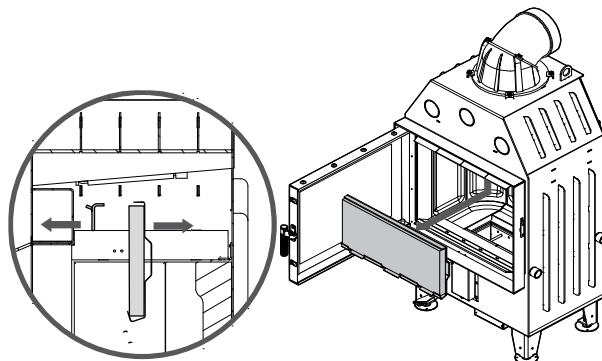
- Move the whole system to the front, towards the doors, while supporting it.



- Lower whole equipment, beam should be founded on internal structure of the fireplace.

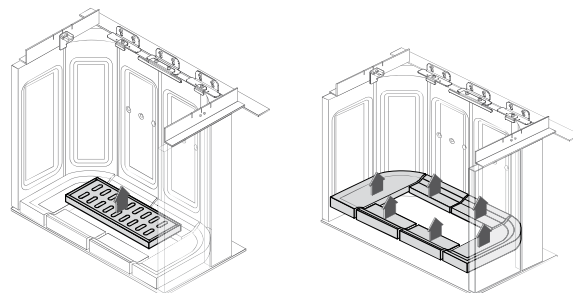


- Rotate whole deflector set by approx. 90°.

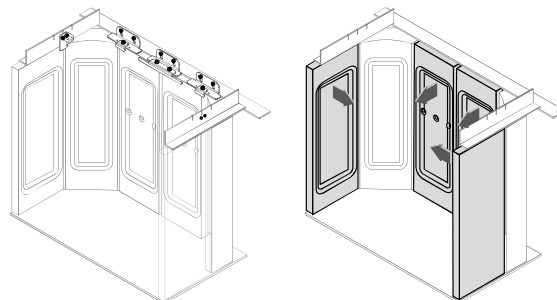


- Eject the supporting beam from the gap and remove both deflectors from inside of the fireplace insert.

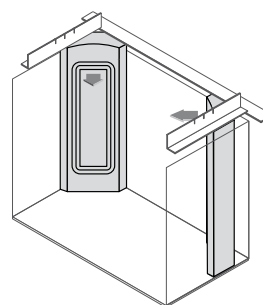
7.6. DISASSEMBLY OF CLADDINGS MADE OF FIRE-PROOF CONCRETE



- Remove grate. 2. Remove claddings laying on floor of the insert.



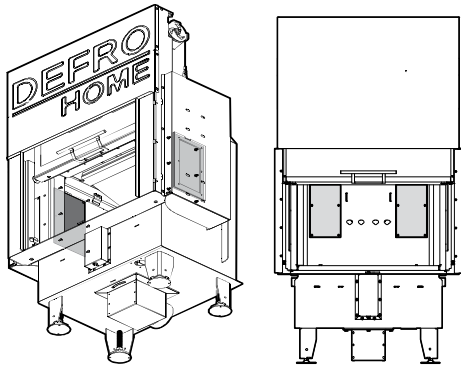
- Remove the screws fixing vertical claddings. 4. Remove side cladding first.



- Remove corner cladding at the end.

7.7. INSPECTION HOLES

Inspection holes are located in both side walls of the DEFRO HOME INTRA G fireplace insert. They are intended only for use by the qualified service of the manufacturer to ensure access during adjustment and maintenance works. Access to these holes is possible after dismantling claddings made of heat-resistant concrete (description of the disassembly in chapter 7.6). Picture 45 illustrates the position of covers of both inspection holes.



Picture 45. Location of the covers of the inspection holes in the inserts: DEFRO HOME INTRA in G version (on the left) and DEFRO HOME INTRA in the C G version (on the right).

DEFRO HOME INTRA C G versions (guillotine doors with two side window panels) are equipped with the inspection holes located in the rear wall of the fireplace insert.



Inspection holes are intended only for use by the qualified service of the manufacturer during adjustment and maintenance works.

7.8. SHUTTING THE STOVE DOWN

It is recommended completely shutdown the fireplace and clean the equipment when each heating season is finished.

8. TROUBLESHOOTING

Some anomalies indicating irregularities in operation can occur during the operation of the equipment. It can be caused by incorrect installation of the equipment without observation of the applicable building regulations or provisions of this manual or by external causes e.g. natural environment.

Below you will find the most frequent causes of incorrect operation of the equipment with their solutions.

Smoke draw back when the doors are opened:

- too rapid opening of the doors (open the doors slowly);
- if a chimney damper has been installed as a chimney draught regulator - open the chimney damper each time when the doors are opened;
- insufficient air inflow to the room, where the equipment is installed (ensure proper ventilation in the room or supply air to the combustion chamber in compliance with guidelines in the manual);
- atmospheric conditions: low pressure, mists and precipitation, sharp changes in temperature;
- insufficient chimney draught (carry out chimneysweep inspection of the flue).

Insufficient heating or damping:

- too low amount of fuel in a furnace (charge furnace in compliance with the manual);
- too high moisture content of wood used for combustion (use wood with moisture content <20%) a large part of obtained energy lost in water evaporation process;
- too low chimney draught (carry out chimneysweep inspection of the flue).

Insufficient heating despite good combustion in combustion chamber:

- low calorific "soft" wood (use wood as recommended in the manual);
- too high moisture content of wood used for combustion (use wood with moisture content <20%);
- too fragmented wood, too thick chunks of wood:

Excessive contamination of window panel:

- low intensity of combustion (combustion with very small flame, use only dry wood as fuel);
- using resinous softwood as a fuel (use dry hardwood as a fuel foreseen in the insert operating manual).

9. MEASURES IN THE CASE OF FIRE IN THE FLUE /SOOT IGNITION.



Systematic cleaning of smoke ducts should be performed to prevent soot ignition in the chimney.

Soot ignition in the chimney is the burning of particles deposited inside chimney (flue) channels; the deposits are formed in the course of heating equipment's operation and were not cleaned by chimney sweeps. In a case of soot fire in chimney the following recommendations should be observed:

- call Fire Brigade at 998 or 112, give information about what is happening and give detailed directions what is happening and how to get to the given building;
- damp a fire in the chimney by closing the inflow of cold air to the furnace chamber;
- close the fireplace's door and cleaning holes tightly to cut off air supply (due to lack of air the fire will eventually stop);
- check the whole chimney channel for any cracks which might result in fire spreading to the rooms;
- prepare fire quenching means, e.g. fire extinguisher, fire blanket, a hose connected to the water system, water in a container;
- make rooms and necessary information available to the Fire Brigade.



It is strictly forbidden to pour water into the chimney - risk of a blowout.

Untight chimney channels can be a source of burning sparks or very hot flue gas, including insensible carbon monoxide.



Chimneysweep should be called after soot fire in the chimney to perform cleaning of ducts and to inspect their technical condition.

10. REMOVAL DUE TO WEAR-OUT

A fireplace insert is made of materials neutral to the environment. After worn out of the insert's parts connected with screws should be disassembled by unscrewing and welded parts must be cut. Components of a fireplace insert are subject to standard waste disposal, mostly as steel scrap. Take safety precautions during disassembly of the insert by using appropriate hand-held and mechanical devices as well as personal protective equipment (gloves, clothes, apron, glasses, etc.).

11. REMARKS ON FIREPLACE INSERT USAGE



The following rules of safe operation of the fireplace inserts should be strictly observed and introduced.

- 1) The fireplace insert can be used only by adult persons, who have familiarised themselves with this operating manual and have been trained in the scope of usage.
- 2) It is forbidden for children to be in the neighborhood of the fireplace insert without adults.
- 3) Flammable liquids must not be used for torching the fuel; only solid fuel (e.g. tourist), paper can be used etc.
- 4) Flammable materials must not be placed on the fireplace insert and in its vicinity.
- 5) It is forbidden to damp a fire in a furnace with water.
- 6) It is forbidden to use a fireplace insert with a cracked window panel.
- 7) You should use fuel recommended by the manufacturer.
- 8) Never stand in front of the doors while opening. Burn risk.
- 9) While removing ash from the fireplace insert flammable materials that cannot be located closer than 1500 mm. Ash is to be put into heat-resistant containers with a lid.
- 10) After the heating season has finished, the fireplace insert and smoke duct are to be precisely cleaned.
- 11) Point corrosion spots are allowed because they do not impact the correct operation of the equipment and do not reduce its performance. They may occur as a result of incorrect storage of equipment (e.g. in rooms of high moisture content).
- 12) A phenomenon of condensation of water steam - condensate, may occur during operation.

12. PRODUCT WARRANTY TERMS AND CONDITIONS

- 1) Placing warranty statement, which contents correspond to the provisions of this document, the Guarantor - manufacturer of the product - DEFRO R. Dziubela spółka komandytowa, Ruda Strawczyńska 103 A, 26-067 Strawczyn, entered in the Register of Entrepreneurs of the National Court Register by the District Court for the capital city of Warsaw XII Commercial Division of the National Court Register, under the number KRS 0000620901, NIP: 9591968493, National Business Registry Number [REGON]: 363378898, gives the Purchaser a warranty for the sold product on the terms and conditions specified below.
- 2) The guarantee refers to a fireplace insert type with serial number (subject of agreement - fireplace insert) under the condition that the product has been fully paid. Due to suitable, proven and unified standards of sales the warranty covers only products purchased in authorized points of sales of the Guarantor or from authorized distributors. Full list of authorized companies is available on the website www.defro.pl.
- 3) When the whole price will be paid and product will be issued to the user also the warranty card will be issued. In the warranty card is missing the Purchaser should immediately contact with the Seller to obtain this document, while its lack has no influence on the validity and period of the warranty given based on this statement, but it can have an influence on the correct, timely processing of obligations resulting from this warranty by the Guarantor.
- 4) To allow Guarantor efficient operation the Purchaser should immediately after issuance of the product, send back a copy of a correctly completed Warranty Card to the address of the Guarantor (Ruda Strawczyńska 103a, 26-067 Strawczyn). The correctly filled Warranty Card has date, stamp and signatures in designated locations.
- 5) The Purchaser receives Warranty Terms and Conditions, Warranty Card as well as Operating Manual containing conditions for boiler's usage, installation guide and parameters regarding the chimney, fuel and boiler water.

- 6) The Guarantor guarantees that the equipment works correctly provided that all conditions specified in the Operating Manual have been met, especially with respect to parameters applying to fuel, and connection to chimney system. The warranty covers the product used in compliance with its intended use and information provided in the service manual. Guarantor is not responsible for the effect of normal wear and tear of the product which is connected with operation.
- 7) The warranty authorizations period commences on the date of issuance of the product to the Purchaser and equals:
 - a) 5 years for correct operation of the equipment,
 - b) 2 years for doors lifting system for DEFRO HOME INTRA fireplace inserts in G version (guillotine),
 - c) 2 years for claddings made of heat-resisting concrete - Ceramiton, while the warranty does not cover discolorations, a complete change of the color or degradation of top layer of the coating.
 - d) 1 year for grate, deflector and gaskets of the fireplace,
 - e) elements subject to wear-out are not covered by the Warranty; these include: ceramic hardened glass, screws, nuts, handles, bearings, guides, lines etc.
- 8) The Warranty is valid in the Republic of Poland.
- 9) During the warranty period, the Guarantor ensures free-of-charge repairs of any physical defects of the product within the period of:
 - a) 14 days after the fault report, unless the repair requires replacement of constructions elements of the product;
 - b) 30 days after the fault report, if the repair requires replacement of constructions elements of the product; subject to points 3 and 4 of these warranty conditions.
- 10) If, as a result of considering the warranty claim the defective product has been replaced with a new one or the significant repairs have been made, then a new warranty period is applied counting from the date of delivery of the replaced or repaired product. In the case when only part, belonging to the claimed product, is replaced then new warranty period is applied only for this part. In the other cases the warranty period is prolonged by a period when the operation of the product was impossible due to filed claim.
- 11) Registration of any physical fault to be repaired during the warranty period (fault registration) should be made by the Purchaser immediately after a fault has been found and no later than after 14 days.
- 12) Any fault is to be registered with the Guarantor (Ruda Strawczyńska 103a, 26-067 Strawczyn) by sending a complaint sheet contained in this operating manual, filled in and stamped by an authorized point of sale or authorized distributor. The fault registration should contain:
 - a) type, capacity, serial number, manufacturer number (the information is located on the rating plate),
 - b) date and place of purchase,
 - c) brief description of the fault,
 - d) detailed address and phone number of the Purchaser.
 - e) If the following cases are complained about: incorrect combustion in the device, tar deposits, smoking through the door; the fault registration should be supplemented with a copy of a chimney sweep expertise certifying that the flue meets all requirements specified in the operating manual for a given boiler's capacity.
- 13) The Guarantor shall not be responsible for exceeding the periods mentioned in point 9 above or the Guarantor or its representatives will be ready to remove the defect within the date agreed with the Purchaser and will not be able to carry it out due to the reasons not attributable to the Guarantor (e.g. lack of proper access to devices, lack of energy or water, force majeure, Purchaser is not present etc.).
- 14) If the Guarantor, despite being ready to carry out the repair, will not be able to carry out the warranty repair twice because of the reasons attributable to the Purchaser then it is assumed that Purchaser had resigned from the claim included in the guarantee claim. Notification about the same defect in this mode is not possible.

- 15) The product can be replaced if the Guarantor decides it cannot be repaired.
- 16) The Guarantor does not accept liability for inappropriate choice of product with respect to the heated area (e.g. device of too low or too high power with respect to requirements). It is recommended to choose a device with cooperation with a design office or the Guarantor. The Guarantor is not liable for the loss of data saved in the equipment and for economic losses and lost profits.
- 17) The guarantor will refuse realization of Purchaser's claims resulting from this document in the case when:
 - a) will state damage or ripping of leaden seals,
 - b) identification of product will be impossible (that is conformity of presented product with document describing the equipment, replaced or illegible documents),
 - c) damages resulting from incorrect transport carried out or ordered by Purchaser,
 - d) particular components of the equipment were willfully replaced with non-genuine, used etc., repairs outside the authorized service of the Guarantor etc.
 - e) damages are mechanical, chemical, thermal and they are not resulting from causes in the sold product.
 - f) damages concerns wearing parts, especially: screws, nuts, handles, ceramic and sealing elements,
 - g) damages resulting from product usage inconsistently with the operating manual, that is especially when incorrect equipment operation resulting from lack of chimney draught or inappropriate power of the equipment,
 - h) Faults are not significant and do not have an impact on the use value of the product.
- 18) This warranty does not cover:
 - a) products used for business purposes or industrial uses;
 - b) components of electrical equipment;
 - c) damages caused by the other connected equipment, devices or accessories other than those recommended by the Guarantor.
 - d) damages occurred as a result of the action of external impacts, among other: by the action of force majeure;
 - e) damages caused by the animals,
 - f) damages resulting from overheating of the equipment that is: discoloration of glass pane, "milky discolorations", discoloration of metal components, "rainbow steel", blue discolorations, chipping of paint, gasket discolorations, deformation of steel components.
- 19) Warranty repairs accepted by the Guarantor are carried out free of charge. The guarantor can charge the costs connected with warranty claim only in the case when a claim is not accepted as a result of stating circumstances which are listed in points 17 and 18 mentioned above.
- 20) Notification of complaint can be considered positively only in the case of:
 - a) keeping the time-limits mentioned in this document;
 - b) fulfilling the other terms and the conditions of the warranty;
 - c) presentation of product proof of purchase - that is invoice or fiscal receipt, the other proof of purchase, in compliance with the regulations;
- 21) Device installation can be carried out by a person holding general installation qualifications but an entry and stamp in the Warranty Card is required.
- 22) Device's first start-up, any repairs and other activities, which are not supposed to be carried out by the User according to the operating manual, can be carried out only by an authorized service trained by the Guarantor. The device's first start-up is payable by the Purchaser.
- 23) During the execution of the warranty repair the customer is responsible for securing the location of repair, including the system of fireplace insert, adjacent floor, walls etc. If the repair requires removing the housing, then the user is responsible for such removal. Signing the complaint form, indicates that the customer does not have any remarks related to the condition of the equipment's surroundings, including the condition of the system, floor, walls etc. after completion of the repair.
- 24) Warranty repair is made in the location when the product is operated. If the claim applies to part of the product, including electronic equipment /electronic controller, fan etc. then the given part should be sent to the Guarantor at his expense. Returning faulty equipment is a condition to accept the claim and replace this equipment for free. Not returning the above-mentioned part within seven (7) working days will be a subject to not accepting the claim and charging its costs to the purchaser.
- 25) Provisions of this document do not limit in any way authorizations resulting from the claim submitted on the basis of statutory warranty. The warranty also had no influence on the other clamps of the Purchaser, according to the provisions of law - including these concerning nonconformity of the goods with the contract. The purchaser can exercise powers from the statutory warranty regardless of powers resulting from the guarantee. If the purchaser exercises his powers resulting from the warranty, the period for execution of powers resulting from the warranty will be suspended from the date of notice about the defect. This period will be continued from the date of refusal by the Guarantor about the execution of obligations resulting from the warranty or ineffective lapse of time for their execution.
- 26) To all matters not settled in this Warranty Card and document the provisions of the Civil Code Art. 577 - 581 shall apply.

12.1. WARRANTY CONDITIONS "48H SERVICE"

- 1) The "48h Service" program covers the heating equipment manufactured by DEFRO R. Dziubela sp. k.
- 2) Any complaints are to be made at a retail outlet, directly at the Company's e-mail: serwis@defro.pl, or by a letter to the company's address.
- 3) Fault registration can be completed if the Purchaser has a purchase confirmation and has filled in the Warranty Card correctly including a complaint sheet.
- 4) The "48h service" ensures that DEFRO R. Dziubela sp. k. does its best to remove any faults which make it impossible/difficult for the equipment to operate within the period of two business days from the day of fault registration.
- 5) Fault removal time may be prolonged for reasons not dependent on DEFRO R. Dziubela sp. k., such as the necessity of replacement of construction elements, lack of spare parts at the supplier, adverse weather conditions /force majeure/.
- 6) Failure to carry out repairs within this period cannot constitute a ground for any claims against DEFRO R. Dziubela sp. k. and Authorized Service Partner.
- 7) To facilitate contact with service, service hotline for Customers has been set up: 509 702 720 and 509 577 900. If you call on these numbers, you will receive necessary information and help with any service issue.

We kindly inform that the possible replacement of the equipment component, with the working one, claimed by the user is not unambiguous with the admission of the equipment user's warranty claims and does not end the complaint processing procedure. DEFRO reserves the right to charge the equipment's user with component replacement/repair costs, which after expertise/repair was stated as damaged by the factors independent of the boiler's manufacturer (e.g. short-circuit in the electric system, overvoltage, flooding, mechanical damages not visible to the naked eye etc.) and which damages were not able to stated during repairing in the location of equipment operation by the service, within 60 days from date of carrying out the repair. DEFRO will issue an appropriate invoice for replacement/repair of the subject component with the enclosed expertise protocol. At the same time, we inform you, that lack of payment for the invoice including the above-mentioned costs within 14 days from its issuance results in irrevocable loss of warranty for the used equipment and this information will be entered into our computer supervision system for equipment within the warranty period. The date when the due amount is credited to the bank account given in the mentioned invoice is treated as the payment date.



WARRANTY CARD

Confirmation of equipment's quality and completeness

In accordance with the conditions stated herein, the warranty for a fireplace insert

DEFRO HOME INTRA typeoperated in accordance with the operating manual
has been issued.

Equipment manufacturing number*

Equipment power* kW

User (name and surname)**

Address /street, city, postal code/**

tel./fax** e-mail**

Sale date

Installation date

Start-up date

.....

(stamp and signature of salesperson)

(stamp and signature of salesperson)

(stamp and signature of company starting up
the fireplace insert)

The user confirms that:

- the equipment has been delivered as complete;
- the device showed no failure during the first start-up carried out by a service company,
- has received the Operating Manual and equipment's installation manual with this Warranty Card filled in;
- has been familiarised with equipment's operation and maintenance.

.....
city and data

.....
user signature

* filled by the manufacturer

** filled by the user

The Customer and the installation and service company confirm by their own signature that their personal data can be processed for service register purposes according to the art. 6 section 1, letter a of the General Data Protection Regulation of 27 April 2016 (OJ EU L 119, 04.05.2016).

13. CARRIED OUT WARRANTY REPAIRS AND MAINTENANCE.

No.	date	fault description, repaired element, description of repairs	comments	Stamp and signature of Service
1.				
2.				
3.				
4.				
5.				
6.				
7.				
8.				
9.				
10				



WARRANTY CARD

Confirmation of equipment's quality and completeness

In accordance with the conditions stated herein, warranty for a fireplace insert

DEFRO HOME INTRA type operated in accordance with the operating manual has been issued.

Equipment manufacturing number*

Equipment power* kW

User (name and surname)**

Address /street, city, postal code/**

tel./fax** e-mail**

Sale date

Installation date

Start-up date

.....

(stamp and signature of salesperson)

(stamp and signature of salesperson)

(stamp and signature of company starting up the fireplace insert)

The user confirms that:

- the equipment has been delivered as complete;
- the device showed no failure during the first start-up carried out by a service company,
- has received the Operating Manual and equipment's installation manual with this Warranty Card filled in;
- has been familiarised with equipment's operation and maintenance.

city and data

user signature

* filled by the manufacturer

** filled by the user

The Customer and the installation and service company confirm by their own signature that their personal data can be processed for service register purposes according to the art. 6 section 1, letter a of the General Data Protection Regulation of 27 April 2016 (OJ EU L 119, 04.05.2016).



COMPLAINT FORM

made on in connection with complaint no.

SUBJECT OF COMPLAINT

EQUIPMENT TYPE: Equipment manufacturing date:
Equipment serial no.: Equipment purchase date:

CLAIMANT

Name and surname:
Detailed address:
Phone number:

DETAILED DESCRIPTION OF QUALITY FAULTS OR FAULTS RESULTING FROM THE MANUFACTURER'S FAULT

.....
.....
.....

OTHER FAULTS

CONDITION OF THE EQUIPMENT SURROUNDINGS (also photo documentation before and after the repair, made by the service technician)

CLAIMANT LODGES WARRANTY CLAIM FOR (SELECT APPROPRIATE):

Warranty repair Paid repair Post-warranty paid repair

CLAIMANT REQUESTS

In the case when a claim is not taken into consideration because circumstances, mentioned in p. 17 and 18 of the Warranty Terms are discovered, the CLAIMANT agrees to cover the costs incurred by the manufacturer's service.

..... (city and data) (sign of claimant) (signature of serviceman)

FAULT REMOVAL - to be filled by service

Date of informing the service technician about fault hour

Name and surname of service technician

Way of fault removal

Advice (DESCRIPTION)

END OF COMPLAINT

Name and surname of service technician: Fault removal date:

Justness of complaint: Duration of repair:

Fault (defect) has been removed, the equipment operates correctly. I hereby confirm the removal of the fault. I declare that I have familiarised myself with the conditions of the warranty on the basis of which I wish to register my complaint.

The Customer and the installation and service company confirm by their own signature that their personal data can be processed for service register purposes according to the art. 6 section 1, letter a of the General Data Protection Regulation of 27 April 2016 (EU L 119, 04.05.2016).

..... (city and data) (sign of claimant) (signature of serviceman)

ATTENTION! In the case when a claim is not taken into consideration because circumstances, mentioned in p. 17 and 18 of the Warranty Terms are discovered, the CLAIMANT agrees to cover the costs incurred by the manufacturer's service.*

*cost per man-hour and traveling expenses are calculated according to the current price list available at www.defro.pl.



COMPLAINT FORM

made onin connection with complaint no.....

SUBJECT OF COMPLAINT

EQUIPMENT TYPE: Equipment manufacturing date:
Equipment serial no.: Equipment purchase date:

CLAIMANT

Name and surname:
Detailed address:
Phone number:

DETAILED DESCRIPTION OF QUALITY FAULTS OR FAULTS RESULTING FROM THE MANUFACTURER'S FAULT

.....
.....
.....

OTHER FAULTS

CONDITION OF THE EQUIPMENT SURROUNDINGS (also photo documentation before and after the repair, made by the service technician)

CLAIMANT LODGES WARRANTY CLAIM FOR (SELECT APPROPRIATE):

Warranty repair Paid repair Post-warranty paid repair

CLAIMANT REQUESTS.....

In the case when a claim is not taken into consideration because circumstances, mentioned in p. 17 and 18 of the Warranty Terms are discovered, the CLAIMANT agrees to cover the costs incurred by the manufacturer's service.

.....
(city and data) (sign of claimant) (signature of serviceman)

FAULT REMOVAL - to be filled by service

Date of informing the service technician about faulthour
Name and surname of service technician
Way of fault removal

Advice (DESCRIPTION)

END OF COMPLAINT

Name and surname of service technician: Fault removal date:
Justness of complaint: Duration of repair:

Fault (defect) has been removed, the equipment operates correctly and I have no remarks related to the condition of the equipment surroundings after the repair (including installation of the system, floors, walls etc.). I hereby confirm the removal of the fault. I declare that I have familiarised myself with the conditions of the warranty on the basis of which I wish to register my complaint.

The Customer and the installation and service company confirm by their own signature that their personal data can be processed for service register purposes according to the art. 6 section 1, letter a of the General Data Protection Regulation of 27 April 2016 (EU L 119, 04.05.2016).

.....
(city and data) (sign of claimant) (signature of serviceman)

ATTENTION! In the case when a claim is not taken into consideration because circumstances, mentioned in p. 17 and 18 of the Warranty Terms are discovered, the CLAIMANT agrees to cover the costs incurred by the manufacturer's service.*

*cost per man-hour and traveling expenses are calculated according to the current price list available at www.defro.pl.

COMPLAINT FORM

made on in connection with complaint no.

SUBJECT OF COMPLAINT

EQUIPMENT TYPE: Equipment manufacturing date:
 Equipment serial no.: Equipment purchase date:

CLAIMANT

Name and surname:
 Detailed address:

Phone number:

DETAILED DESCRIPTION OF QUALITY FAULTS OR FAULTS RESULTING FROM THE MANUFACTURER'S FAULT

.....

OTHER FAULTS

CONDITION OF THE EQUIPMENT SURROUNDINGS (also photo documentation before and after the repair, made by the service technician)

CLAIMANT LODGES WARRANTY CLAIM FOR (SELECT APPROPRIATE):

Warranty repair Paid repair Post-warranty paid repair

CLAIMANT REQUESTS

In the case when a claim is not taken into consideration because circumstances, mentioned in p. 17 and 18 of the Warranty Terms are discovered, the CLAIMANT agrees to cover the costs incurred by the manufacturer's service.

.....
 (city and data) (sign of claimant) (signature of serviceman)

FAULT REMOVAL - to be filled by service

Date of informing the service technician about fault hour

Name and surname of service technician

Way of fault removal

Advice (DESCRIPTION)

END OF COMPLAINT

Name and surname of service technician: Fault removal date:

Justness of complaint: Duration of repair:

*Fault (defect) has been removed, the equipment operates correctly. I hereby confirm the removal of the fault. I declare that I have familiarised myself with the conditions of the warranty on the basis of which I wish to register my complaint.
 The Customer and the installation and service company confirm by their own signature that their personal data can be processed for service register purposes according to the art. 6 section 1, letter a of the General Data Protection Regulation of 27 April 2016 (EU L 119, 04.05.2016).*

.....
 (city and data) (sign of claimant) (signature of serviceman)



ATTENTION! In the case when a claim is not taken into consideration because circumstances, mentioned in p. 17 and 18 of the Warranty Terms are discovered, the CLAIMANT agrees to cover the costs incurred by the manufacturer's service.*
 *cost per man-hour and travelling expenses are calculated according to the current price list available at

18. REGISTER OF INSPECTIONS OF SMOKE DUCT

date	stamp and signature of chimneysweep	date	stamp and signature of chimneysweep

Name and address of the equipment supplier

DEFRO R. Dziubeła spółka komandytowa
26-067 Strawczyn
Ruda Strawczyńska 103A

PARAMETERS OF THE EQUIPMENT	UNIT	MODEL IDENTIFIER	
		DEFRO HOME INTRA XSM C DEFRO HOME INTRA XSM C G DEFRO HOME INTRA XSM BP MINI DEFRO HOME INTRA XSM BL MINI DEFRO HOME INTRA XSM BP MINI G DEFRO HOME INTRA XSM BL MINI G	DEFRO HOME INTRA XSM
Energy efficiency class	-		
Direct thermal power	kW	8.6	9.8
Indirect thermal power	kW	N/A	N/A
Energy efficiency Index EEI	-	107	106
Performance at rated thermal power	%	80.9	80.2
Efficiency at minimal thermal power	%	N/A	N/A
Special precautions during assembly, installation or maintenance of the equipment	-	Consider guidelines included in the Service Manual delivered by the manufacturer each time before assembly, start-up or maintenance of the equipment.	


Name and address of the equipment supplier

DEFRO R. Dziubela spółka komandytowa
26-067 Strawczyn
Ruda Strawczyńska 103A

PARAMETERS OF THE EQUIPMENT	UNIT	MODEL IDENTIFIER		
		DEFRO HOME INTRA SM DEFRO HOME INTRA SM G DEFRO HOME INTRA SM BP DEFRO HOME INTRA SM BL DEFRO HOME INTRA SM BP G DEFRO HOME INTRA SM BL G DEFRO HOME INTRA SM BP MINI DEFRO HOME INTRA SM BL MINI DEFRO HOME INTRA SM BP MINI G DEFRO HOME INTRA SM BL MINI G DEFRO HOME INTRA SM T DEFRO HOME INTRA SM T G DEFRO HOME INTRA SM C G	DEFRO HOME INTRA SM C	DEFRO HOME INTRA SM U
Energy efficiency class	-			
Direct thermal power	kW	10.7	11.8	16.2
Indirect thermal power	kW	N/A	N/A	N/A
Energy efficiency Index EEI	-	106	107	111
Performance at rated thermal power	%	80.1	80.8	83.3
Efficiency at minimal thermal power	%	N/A	N/A	N/A
Special precautions during assembly, installation or maintenance of the equipment	-	Consider guidelines included in the Service Manual delivered by the manufacturer each time before assembly, start-up or maintenance of the equipment.		




Name and address of the equipment supplier

DEFRO R. Dziubeła spółka komandytowa
26-067 Strawczyn
Ruda Strawczyńska 103A

PARAMETERS OF THE EQUIPMENT	UNIT	MODEL IDENTIFIER
		DEFRO HOME INTRA ME DEFRO HOME INTRA ME G DEFRO HOME INTRA ME BP DEFRO HOME INTRA ME BL DEFRO HOME INTRA ME BP G DEFRO HOME INTRA ME BL G DEFRO HOME INTRA ME T DEFRO HOME INTRA ME T G DEFRO HOME INTRA ME C G
Energy efficiency class	-	
Direct thermal power	kW	13.4
Indirect thermal power	kW	N/A
Energy efficiency Index EEI	-	107
Performance at rated thermal power	%	80.6
Efficiency at minimal thermal power	%	N/A
Special precautions during assembly, installation or maintenance of the equipment	-	Consider guidelines included in the Service Manual delivered by the manufacturer each time before assembly, start-up or maintenance of the equipment.

Name and address of the equipment supplier

DEFRO R. Dziubeła spółka komandytowa
26-067 Strawczyn
Ruda Strawczyńska 103A

PARAMETERS OF THE EQUIPMENT	UNIT	MODEL IDENTIFIER		
		DEFRO HOME INTRA LA	DEFRO HOME INTRA LA BP G	DEFRO HOME INTRA XLA G
		DEFRO HOME INTRA LA G	DEFRO HOME INTRA LA BL G	
		DEFRO HOME INTRA LA T	DEFRO HOME INTRA LA BP	
		DEFRO HOME INTRA LA T G	DEFRO HOME INTRA LA BL	
Energy efficiency class	-			
Direct thermal power	kW	16.5	16.6	22.4
Indirect thermal power	kW	N/A	N/A	N/A
Energy efficiency Index EEI	-	106	108	106
Performance at rated thermal power	%	80.1	81.2	80.0
Efficiency at minimal thermal power	%	N/A	N/A	N/A
Special precautions during assembly, installation or maintenance of the equipment	-	Consider guidelines included in the Service Manual delivered by the manufacturer each time before assembly, start-up or maintenance of the equipment.		

RODUCT SHEET

in accordance with the Commission Regulation 2015/1185

on the execution of the Directive of the European Parliament and the Council 2009/125/EC

Equipment parameters

Model identifier(s): **DEFRO HOME INTRA XSM**

Indirect heating function: [yes/no]

Direct thermal output: 9.8 (kW)

Indirect thermal output: N/A (kW)

Fuel	Recom- mended fuel (only one):	Other suitable fuel(s):	η_s [%]:	Emission from local space heater at rated heat output				Emission from local space heaters at rated heat output			
				PM	OGC	CO	NO _x	PM	OGC	CO	NO _x
				mg/Nm ³ (13 % O ₂)				mg/Nm ³ (13 % O ₂)			
Chunks of wood of moisture content ≤ 25 %	yes	no	70	40	120	1500	200				
Pressed wood of moisture content ≤ 12 %	no	no									
Other wooden biomass	no	no									
Non-wooden biomass	no	no									
Hard coal and lean coal	no	no									
Metallurgic coke	no	no									
Semi-coke	no	no									
Hard coal	no	no									
Brown coal briquettes	no	no									
Peat briquettes	no	no									
Briquettes made of mixed fossil fuel	no	no									
Other fossil fuel	no	no									
Briquettes made of mix of biomass and fossil fuel	no	no									
Other mixture of biomass and solid fuel	No	no									

Properties in the case of operation only with recommended fuel

Parameter	Designation	Value	Unit	Parameter	Designation	Value	Unit
Thermal output				Performance (calorific value in operating condition)			
Rated heat output	P_{nom}	9.8	kW	Performance at rated thermal power	$\eta_{th,nom}$	80.2	%
Minimum heat output (indicative)	P_{min}	-	kW	Performance at minimal thermal power (indicative)	$\eta_{th,min}$	-	%
Auxiliary power consumption				Type of heat output/control of temperature in the room (choose one option)			
For rated heat output	e_{lmax}		kW	single-stage thermal power without temperature control in the room		yes/no	
For minimum heat output	e_{lmin}		kW	at least two manual stages without temperature control in the room		yes/no	
In standby mode	e_{lsb}		kW	mechanical control of temperature in the room using a thermostat		yes/no	
Energy demand of the fixed ignition flame				electronic control of temperature in the room		yes/no	
Energy demand of the ignition flame (if applicable)	P_{pilot}		kW	electronic control of temperature in the room and daily controller		yes/no	
				electronic control of temperature in the room and weekly controller		yes/no	
				Other control options (you may choose several options)			
				temperature control in the room with presence detection		yes/no	
				temperature control in the room with open window detection		yes/no	
				remote control option		yes/no	

Name/name and surname and address of the manufacturer or his/her authorized representative:

DEFRO R. Dziubeła spółka komandytowa
26-067 Strawczyn
Ruda Strawczyńska 103A

Robert Dziubeła – CEO

PRODUCT SHEET

in accordance with the Commission Regulation 2015/1185

on the execution of the Directive of the European Parliament and the Council 2009/125/EC

Equipment parameters

Model identifier(s): DEFRO HOME INTRA XSM BL, DEFRO HOME INTRA XSM BP, DEFRO HOME INTRA XSM BL G, DEFRO HOME INTRA XSM BP G, DEFRO HOME INTRA XSM T, DEFRO HOME INTRA XSM G, DEFRO HOME INTRA XSM C, DEFRO HOME INTRA XSM U, DEFRO HOME INTRA XSM T Z, DEFRO HOME INTRA XSM SHORT, DEFRO HOME INTRA XSM BL SHORT, DEFRO HOME INTRA XSM BP SHORT, DEFRO HOME INTRA XSM BL MINI, DEFRO HOME INTRA XSM BP MINI, DEFRO HOME INTRA XSM BL MINI G, DEFRO HOME INTRA XSM BP MINI G, DEFRO HOME INTRA XSM C MINI, DEFRO HOME INTRA XSM C MINI G, DEFRO HOME INTRA XSM T Z G, DEFRO HOME INTRA XSM C G, DEFRO HOME INTRA XSM SHORT G, DEFRO HOME INTRA XSM BL SHORT G, DEFRO HOME INTRA XSM BP SHORT G, DEFRO HOME INTRA XSM C SHORT, DEFRO HOME INTRA XSM C SHORT G, DEFRO HOME INTRA XSM T G, DEFRO HOME INTRA XSM T 2 G, DEFRO HOME INTRA XSM U G

Indirect heating function: [yes/no]

Direct thermal output: 8.6 (kW)

Indirect thermal output: N/A (kW)

Fuel	Recom- mended fuel (only one):	Other suitable fuel(s):	η_s [%]:	Emission from local space heater at rated heat output				Emission from local space heaters at rated heat output			
				PM	OGC	CO	NO _x	PM	OGC	CO	NO _x
				mg/Nm ³ (13 % O ₂)				mg/Nm ³ (13 % O ₂)			
Chunks of wood of moisture content ≤ 25 %	yes	no	71	40	120	1500	200				
Pressed wood of moisture content ≤ 12 %	no	no									
Other wooden biomass	no	no									
Non-wooden biomass	no	no									
Hard coal and lean coal	no	no									
Metallurgic coke	no	no									
Semi-coke	no	no									
Hard coal	no	no									
Brown coal briquettes	no	no									
Peat briquettes	no	no									
Briquettes made of mixed fossil fuel	no	no									
Other fossil fuel	no	no									
Briquettes made of mix of biomass and fossil fuel	no	no									
Other mixture of biomass and solid fuel	no	no									

Properties in the case of operation only with recommended fuel

Parameter	Designation	Value	Unit	Parameter	Designation	Value	Unit
Thermal output				Performance (calorific value in operating condition)			
Rated heat output	P_{nom}	8.6	kW	Performance at rated thermal power	$\eta_{th,nom}$	80.9	%
Minimum heat output (indicative)	P_{min}	-	kW	Performance at minimal thermal power (indicative)	$\eta_{th,min}$	-	%
Auxiliary power consumption				Type of heat output/control of temperature in the room (choose one option)			
For rated heat output	e_{lmax}		kW	single-stage thermal power without temperature control in the room		yes/no	
For minimum heat output	e_{lmin}		kW	at least two manual stages without temperature control in the room		yes/no	
In standby mode	e_{lsb}		kW	mechanical control of temperature in the room using a thermostat		yes/no	
Energy demand of the fixed ignition flame				electronic control of temperature in the room		yes/no	
Energy demand of the ignition flame (if applicable)	P_{pilot}		kW	electronic control of temperature in the room and daily controller		yes/no	
				electronic control of temperature in the room and weekly controller		yes/no	
				Other control options (you may choose several options)			
				temperature control in the room with presence detection		yes/no	
				temperature control in the room with open window detection		yes/no	
				remote control option		yes/no	

Name/name and surname and address of the manufacturer or his/her authorized representative:

DEFRO R. Dziubeła spółka komandytowa
26-067 Strawczyn
Ruda Strawczyńska 103A

Robert Dziubeła – CEO

PRODUCT SHEET

in accordance with the Commission Regulation 2015/1185

on the execution of the Directive of the European Parliament and the Council 2009/125/EC

Equipment parameters

Model identifier(s): **DEFRO HOME INTRA SM, DEFRO HOME INTRA SM BL, DEFRO HOME INTRA SM BP, DEFRO HOME INTRA SM SHORT, DEFRO HOME INTRA SM BL SHORT, DEFRO HOME INTRA SM BP SHORT, DEFRO HOME INTRA SM BL MINI, DEFRO HOME INTRA SM BP MINI, DEFRO HOME INTRA SM BL MINI G, DEFRO HOME INTRA SM BP MINI G, DEFRO HOME INTRA SM C MINI, DEFRO HOME INTRA SM C MINI G, DEFRO HOME INTRA SM T, DEFRO HOME INTRA SM T Z, DEFRO HOME INTRA SM T Z G, DEFRO HOME INTRA SM G, DEFRO HOME INTRA SM BL G, DEFRO HOME INTRA SM BP G, DEFRO HOME INTRA SM C G, DEFRO HOME INTRA SM SHORT G, DEFRO HOME INTRA SM BL SHORT G, DEFRO HOME INTRA SM BP SHORT G, DEFRO HOME INTRA SM C SHORT, DEFRO HOME INTRA SM C SHORT G, DEFRO HOME INTRA SM T G, DEFRO HOME INTRA SM T 2 G**

Indirect heating function: [yes/no]

Direct thermal output: 10.7 (kW)

Indirect thermal output: N/A (kW)

Fuel	Recom- mended fuel (only one):	Other suitable fuel(s):	η_s [%]:	Emission from local space heater at rated heat output				Emission from local space heaters at rated heat output			
				PM	OGC	CO	NO _x	PM	OGC	CO	NO _x
				mg/Nm ³ (13 % O ₂)				mg/Nm ³ (13 % O ₂)			
Chunks of wood of moisture content ≤ 25 %	yes	no	70	40	120	1500	200				
Pressed wood of moisture content ≤ 12 %	no	no									
Other wooden biomass	no	no									
Non-wooden biomass	no	no									
Hard coal and lean coal	no	no									
Metallurgic coke	no	no									
Semi-coke	no	no									
Hard coal	no	no									
Brown coal briquettes	no	no									
Peat briquettes	no	no									
Briquettes made of mixed fossil fuel	no	no									
Other fossil fuel	no	no									
Briquettes made of mix of biomass and fossil fuel	no	no									
Other mixture of biomass and solid fuel	no	no									

Properties in the case of operation only with recommended fuel

Parameter	Designation	Value	Unit	Parameter	Designation	Value	Unit
Thermal output				Performance (calorific value in operating condition)			
Rated heat output	P_{nom}	10.7	kW	Performance at rated thermal power	$\eta_{th,nom}$	80.1	%
Minimum heat output (indicative)	P_{min}	-	kW	Performance at minimal thermal power (indicative)	$\eta_{th,min}$	N/A	%
Auxiliary power consumption				Type of heat output/control of temperature in the room (choose one option)			
For rated heat output	e_{lmax}	-	kW	single-stage thermal power without temperature control in the room	yes/no		
For minimum heat output	e_{lmin}	-	kW	at least two manual stages without temperature control in the room	yes/no		
In standby mode	e_{lSB}	-	kW	mechanical control of temperature in the room using a thermostat	yes/no		
Energy demand of the fixed ignition flame				electronic control of temperature in the room	yes/no		
Energy demand of the ignition flame (if applicable)	P_{pilot}	-	kW	electronic control of temperature in the room and daily controller	yes/no		
				electronic control of temperature in the room and weekly controller	yes/no		
				Other control options (you may choose several options)			
				temperature control in the room with presence detection	yes/no		
				temperature control in the room with open window detection	yes/no		
				remote control option	yes/no		

Name/name and surname and address of the manufacturer or his/her authorized representative:

DEFRO R. Dziubeła spółka komandytowa
26-067 Strawczyn
Ruda Strawczyńska 103A

Robert Dziubeła – CEO

PRODUCT SHEET

in accordance with the Commission Regulation 2015/1185

on the execution of the Directive of the European Parliament and the Council 2009/125/EC

Equipment parameters

Model identifier(s): **DEFRO HOME INTRA SM U G, DEFRO HOME INTRA SM U**

Indirect heating function: [yes/no]

Direct thermal output: 16.2 (kW)

Indirect thermal output: N/A (kW)

Fuel	Recom- mended fuel (only one):	Other suitable fuel(s):	η_s [%]:	Emission from local space heater at rated heat output				Emission from local space heaters at rated heat output			
				PM	OGC	CO	NO _x	PM	OGC	CO	NO _x
				mg/Nm ³ (13 % O ₂)				mg/Nm ³ (13 % O ₂)			
Chunks of wood of moisture content ≤ 25 %	yes	no	73	40	120	1500	200				
Pressed wood of moisture content ≤ 12 %	no	no									
Other wooden biomass	no	no									
Non-wooden biomass	no	no									
Hard coal and lean coal	no	no									
Metallurgic coke	no	no									
Semi-coke	no	no									
Hard coal	no	no									
Brown coal briquettes	no	no									
Peat briquettes	no	no									
Briquettes made of mixed fossil fuel	no	no									
Other fossil fuel	no	no									
Briquettes made of mix of biomass and fossil fuel	no	no									
Other mixture of biomass and solid fuel	no	no									

Properties in the case of operation only with recommended fuel

Parameter	Designation	Value	Unit	Parameter	Designation	Value	Unit
Thermal output				Performance (calorific value in operating condition)			
Rated heat output	P_{nom}	16.2	kW	Performance at rated thermal power	$\eta_{th,nom}$	83.3	%
Minimum heat output (indicative)	P_{min}	-	kW	Performance at minimal thermal power (indicative)	$\eta_{th,min}$	N/A	%
Auxiliary power consumption				Type of heat output/control of temperature in the room (choose one option)			
For rated heat output	e_{lmax}	-	kW	single-stage thermal power without temperature control in the room	yes/no		
For minimum heat output	e_{lmin}	-	kW	at least two manual stages without temperature control in the room	yes/no		
In standby mode	e_{lSB}	-	kW	mechanical control of temperature in the room using a thermostat	yes/no		
Energy demand of the fixed ignition flame				electronic control of temperature in the room	yes/no		
Energy demand of the ignition flame (if applicable)	P_{pilot}	-	kW	electronic control of temperature in the room and daily controller	yes/no		
				electronic control of temperature in the room and weekly controller	yes/no		
				Other control options (you may choose several options)			
				temperature control in the room with presence detection	yes/no		
				temperature control in the room with open window detection	yes/no		
				remote control option	yes/no		

Name/name and surname and address of the manufacturer or his/her authorized representative:

DEFRO R. Dziubeła spółka komandytowa
26-067 Strawczyn
Ruda Strawczyńska 103A

Robert Dziubeła – CEO

PRODUCT SHEET

in accordance with the Commission Regulation 2015/1185

on the execution of the Directive of the European Parliament and the Council 2009/125/EC

Equipment parameters

Model identifier(s): **DEFRO HOME INTRA SM C, DEFRO HOME INTRA SM C G**

Indirect heating function: [yes/no]

Direct thermal output: 11.8 (kW)

Indirect thermal output: N/A (kW)

Fuel	Recom- mended fuel (only one):	Other suitable fuel(s):	η_s [%]:	Emission from local space heater at rated heat output				Emission from local space heaters at rated heat output			
				PM	OGC	CO	NO _x	PM	OGC	CO	NO _x
				mg/Nm ³ (13 % O ₂)				mg/Nm ³ (13 % O ₂)			
Chunks of wood of moisture content ≤ 25 %	yes	no	71	40	120	1500	200				
Pressed wood of moisture content ≤ 12 %	no	no									
Other wooden biomass	no	no									
Non-wooden biomass	no	no									
Hard coal and lean coal	no	no									
Metallurgic coke	no	no									
Semi-coke	no	no									
Hard coal	no	no									
Brown coal briquettes	no	no									
Peat briquettes	no	no									
Briquettes made of mixed fossil fuel	no	no									
Other fossil fuel	no	no									
Briquettes made of mix of biomass and fossil fuel	no	no									
Other mixture of biomass and solid fuel	no	no									

Properties in the case of operation only with recommended fuel

Parameter	Designation	Value	Unit	Parameter	Designation	Value	Unit
Thermal output				Performance (calorific value in operating condition)			
Rated heat output	P_{nom}	11.8	kW	Performance at rated thermal power	$\eta_{th,nom}$	80.8	%
Minimum heat output (indicative)	P_{min}	-	kW	Performance at minimal thermal power (indicative)	$\eta_{th,min}$	N/A	%
Auxiliary power consumption				Type of heat output/control of temperature in the room (choose one option)			
For rated heat output	e_{lmax}	-	kW	single-stage thermal power without temperature control in the room	yes/no		
For minimum heat output	e_{lmin}	-	kW	at least two manual stages without temperature control in the room	yes/no		
In standby mode	e_{lSB}	-	kW	mechanical control of temperature in the room using a thermostat	yes/no		
Energy demand of the fixed ignition flame				electronic control of temperature in the room	yes/no		
Energy demand of the ignition flame (if applicable)	P_{pilot}	-	kW	electronic control of temperature in the room and daily controller	yes/no		
				electronic control of temperature in the room and weekly controller	yes/no		
				Other control options (you may choose several options)			
				temperature control in the room with presence detection	yes/no		
				temperature control in the room with open window detection	yes/no		
				remote control option	yes/no		

Name/name and surname and address of the manufacturer or his/her authorized representative:

DEFRO R. Dziubeła spółka komandytowa
26-067 Strawczyn
Ruda Strawczyńska 103A

Robert Dziubeła – CEO

PRODUCT SHEET

in accordance with the Commission Regulation 2015/1185

on the execution of the Directive of the European Parliament and the Council 2009/125/EC

Equipment parameters

Model identifier(s): **DEFRO HOME INTRA ME, DEFRO HOME INTRA ME BL, DEFRO HOME INTRA ME BP, DEFRO HOME INTRA ME SHORT, DEFRO HOME INTRA ME BL SHORT, DEFRO HOME INTRA ME BP SHORT, DEFRO HOME INTRA ME BL MINI, DEFRO HOME INTRA ME BP MINI, DEFRO HOME INTRA ME BL MINI G, DEFRO HOME INTRA ME BP MINI G, DEFRO HOME INTRA ME C MINI, DEFRO HOME INTRA ME C MINI G, DEFRO HOME INTRA ME T, DEFRO HOME INTRA ME T Z, DEFRO HOME INTRA ME T Z G, DEFRO HOME INTRA ME G, DEFRO HOME INTRA ME BL G, DEFRO HOME INTRA ME BP G, DEFRO HOME INTRA ME C, DEFRO HOME INTRA ME C G, DEFRO HOME INTRA ME SHORT G, DEFRO HOME INTRA ME BL SHORT G, DEFRO HOME INTRA ME BP SHORT G, DEFRO HOME INTRA ME C SHORT, DEFRO HOME INTRA ME C SHORT G, DEFRO HOME INTRA ME T G, DEFRO HOME INTRA ME T Z G, DEFRO HOME INTRA ME U, DEFRO HOME INTRA ME U G**

Indirect heating function: [yes/no]

Direct thermal output: 13.4 (kW)

Indirect thermal output: N/A (kW)

Fuel	Recom- mended fuel (only one):	Other suit- able fuel(s):	η_s [%]:	Emission from local space heater at rated heat output				Emission from local space heaters at rated heat output			
				PM	OGC	CO	NO _x	PM	OGC	CO	NO _x
				mg/Nm ³ (13 % O ₂)				mg/Nm ³ (13 % O ₂)			
Chunks of wood of mois- ture content ≤ 25 %	yes	no	71	40	120	1500	200				
Pressed wood of moisture content ≤ 12 %	no	no									
Other wooden biomass	no	no									
Non-wooden biomass	no	no									
Hard coal and lean coal	no	no									
Metallurgic coke	no	no									
Semi-coke	no	no									
Hard coal	no	no									
Brown coal briquettes	no	no									
Peat briquettes	no	no									
Briquettes made of mixed fossil fuel	no	no									
Other fossil fuel	no	no									
Briquettes made of mix of biomass and fossil fuel	no	no									
Other mixture of biomass and solid fuel	no	no									

Properties in the case of operation only with recommended fuel

Parameter	Designation	Value	Unit	Parameter	Designation	Value	Unit
Thermal output				Performance (calorific value in operating condition)			
Rated heat output	P_{nom}	13.4	kW	Performance at rated thermal power	$\eta_{th,nom}$	80.6	%
Minimum heat output (indicative)	P_{min}	-	kW	Performance at minimal thermal power (indicative)	$\eta_{th,min}$	N/A	%
Auxiliary power consumption				Type of heat output/control of temperature in the room (choose one option)			
For rated heat output	e_{lmax}	-	kW	single-stage thermal power without temperature control in the room		yes/no	
For minimum heat output	e_{lmin}	-	kW	at least two manual stages without temperature control in the room		yes/no	
In standby mode	e_{lSB}	-	kW	mechanical control of temperature in the room using a thermostat		yes/no	
Energy demand of the fixed ignition flame				electronic control of temperature in the room		yes/no	
Energy demand of the ignition flame (if applicable)	P_{pilot}	-	kW	electronic control of temperature in the room and daily controller		yes/no	
				electronic control of temperature in the room and weekly controller		yes/no	
				Other control options (you may choose several options)			
				temperature control in the room with presence detection		yes/no	
				temperature control in the room with open window detection		yes/no	
				remote control option		yes/no	

Name/name and surname and address of the manufacturer or his/her authorized representative:

DEFRO R. Dziubeła spółka komandytowa
26-067 Strawczyn
Ruda Strawczyńska 103A

Robert Dziubeła – CEO

PRODUCT SHEET

in accordance with the Commission Regulation 2015/1185

on the execution of the Directive of the European Parliament and the Council 2009/125/EC

Equipment parameters

Model identifier(s): **DEFRO HOME INTRA LA, DEFRO HOME INTRA LA BL MINI G, DEFRO HOME INTRA LA BL MINI, DEFRO HOME INTRA LA BL SHORT G, DEFRO HOME INTRA LA BL SHORT, DEFRO HOME INTRA LA BP MINI G, DEFRO HOME INTRA LA BP MINI, DEFRO HOME INTRA LA BP SHORT G, DEFRO HOME INTRA LA BP SHORT, DEFRO HOME INTRA LA G, DEFRO HOME INTRA LA SHORT G, DEFRO HOME INTRA LA SHORT, DEFRO HOME INTRA LA T 2 G, DEFRO HOME INTRA LA T, DEFRO HOME INTRA LA T G, DEFRO HOME INTRA LA T Z, DEFRO HOME INTRA LA T Z G, DEFRO HOME INTRA LA U G, DEFRO HOME INTRA LA U, DEFRO HOME INTRA LA, DEFRO HOME INTRA LA C G, DEFRO HOME INTRA LA C MINI SHORT G, DEFRO HOME INTRA LA C MINI SHORT**

Indirect heating function: [yes/no]

Direct thermal output: 16.5 (kW)

Indirect thermal output: N/A (kW)

Fuel	Recom- mended fuel (only one):	Other suita- ble fuel(s):	η_s [%]:	Emission from local space heater at rated heat output				Emission from local space heaters at rated heat output			
				PM	OGC	CO	NO _x	PM	OGC	CO	NO _x
				mg/Nm ³ (13 % O ₂)				mg/Nm ³ (13 % O ₂)			
Chunks of wood of mois- ture content ≤ 25 %	yes	no	70	40	120	1500	200				
Pressed wood of mois- ture content ≤ 12 %	no	no									
Other wooden biomass	no	no									
Non-wooden biomass	no	no									
Hard coal and lean coal	no	no									
Metallurgic coke	no	no									
Semi-coke	no	no									
Hard coal	no	no									
Brown coal briquettes	no	no									
Peat briquettes	no	no									
Briquettes made of mixed fossil fuel	no	no									
Other fossil fuel	no	no									
Briquettes made of mix of biomass and fossil fuel	no	no									
Other mixture of biomass and solid fuel	no	no									

Properties in the case of operation only with recommended fuel

Parameter	Designation	Value	Unit	Parameter	Designation	Value	Unit
Thermal output				Performance (calorific value in operating condition)			
Rated heat output	P_{nom}	16.5	kW	Performance at rated thermal power	$\eta_{th,nom}$	80.1	%
Minimum heat output (indicative)	P_{min}	-	kW	Performance at minimal thermal power (indicative)	$\eta_{th,min}$	N/A	%
Auxiliary power consumption				Type of heat output/control of temperature in the room (choose one option)			
For rated heat output	e_{lmax}	-	kW	single-stage thermal power without temperature control in the room		yes/no	
For minimum heat output	e_{lmin}	--	kW	at least two manual stages without temperature control in the room		yes/no	
In standby mode	e_{lsb}	-	kW	mechanical control of temperature in the room using a thermostat		yes/no	
Energy demand of the fixed ignition flame				electronic control of temperature in the room		yes/no	
Energy demand of the ignition flame (if applicable)	P_{pilot}		kW	electronic control of temperature in the room and daily controller		yes/no	
				electronic control of temperature in the room and weekly controller		yes/no	
				Other control options (you may choose several options)			
				temperature control in the room with presence detection		yes/no	
				temperature control in the room with open window detection		yes/no	
				remote control option		yes/no	

Name/name and surname and address of the manufacturer or his/her authorized representative:

DEFRO R. Dziubeła spółka komandytowa
26-067 Strawczyn
Ruda Strawczyńska 103A

Robert Dziubeła – CEO

PRODUCT SHEET

in accordance with the Commission Regulation 2015/1185

on the execution of the Directive of the European Parliament and the Council 2009/125/EC

Equipment parameters

Model identifier(s): **DEFRO HOME INTRA LA BP G, DEFRO HOME INTRA LA BL G, DEFRO HOME INTRA LA BP, DEFRO INTRA LA BL**

Indirect heating function: [yes/no]

Direct thermal output: 16.6 (kW)

Indirect thermal output: N/A (kW)

Fuel	Recom- mended fuel (only one):	Other suit- able fuel(s):	η_s [%]:	Emission from local space heater at rated heat output				Emission from local space heaters at rated heat output			
				PM	OGC	CO	NO _x	PM	OGC	CO	NO _x
				mg/Nm ³ (13 % O ₂)				mg/Nm ³ (13 % O ₂)			
Chunks of wood of mois- ture content ≤ 25 %	yes	no	71	40	120	1500	200				
Pressed wood of mois- ture content ≤ 12 %	no	no									
Other wooden biomass	no	no									
Non-wooden biomass	no	no									
Hard coal and lean coal	no	no									
Metallurgic coke	no	no									
Semi-coke	no	no									
Hard coal	no	no									
Brown coal briquettes	no	no									
Peat briquettes	no	no									
Briquettes made of mixed fossil fuel	no	no									
Other fossil fuel	no	no									
Briquettes made of mix of biomass and fossil fuel	no	no									
Other mixture of biomass and solid fuel	no	no									

Properties in the case of operation only with recommended fuel

Parameter	Designation	Value	Unit	Parameter	Designation	Value	Unit
Thermal output				Performance (calorific value in operating condition)			
Rated heat output	P_{nom}	16.6	kW	Performance at rated thermal power	$\eta_{th,nom}$	81.2	%
Minimum heat output (indicative)	P_{min}	-	kW	Performance at minimal thermal power (indicative)	$\eta_{th,min}$	N/A	%
Auxiliary power consumption				Type of heat output/control of temperature in the room (choose one option)			
For rated heat output	e_{lmax}	-	kW	single-stage thermal power without temperature control in the room		yes/no	
For minimum heat output	e_{lmin}	--	kW	at least two manual stages without temperature control in the room		yes/no	
In standby mode	e_{lSB}	-	kW	mechanical control of temperature in the room using a thermostat		yes/no	
Energy demand of the fixed ignition flame				electronic control of temperature in the room		yes/no	
Energy demand of the ignition flame (if applicable)	P_{pilot}		kW	electronic control of temperature in the room and daily controller		yes/no	
				electronic control of temperature in the room and weekly controller		yes/no	
				Other control options (you may choose several options)			
				temperature control in the room with presence detection		yes/no	
				temperature control in the room with open window detection		yes/no	
				remote control option		yes/no	

Name/name and surname and address of the manufacturer or his/her authorized representative:

DEFRO R. Dziubeła spółka komandytowa
26-067 Strawczyn
Ruda Strawczyńska 103A

Robert Dziubeła – CEO

PRODUCT SHEET

in accordance with the Commission Regulation 2015/1185

on the execution of the Directive of the European Parliament and the Council 2009/125/EC

Equipment parameters

Model identifier(s): **DEFRO HOME INTRA XLA G, DEFRO HOME INTRA XLA, DEFRO HOME INTRA XLA G BL, DEFRO HOME INTRA XLA G BP, DEFRO HOME INTRA XLA BP, DEFRO HOME INTRA XLA BL, DEFRO HOME INTRA XLA T, DEFRO HOME INTRA XLA T G, DEFRO HOME INTRA XLA T G, DEFRO HOME INTRA XLA SHORT, DEFRO HOME INTRA XLA BP SHORT, DEFRO HOME INTRA XLA BL SHORT, DEFRO HOME INTRA XLA G SHORT, DEFRO HOME INTRA XLA G BP SHORT, DEFRO HOME INTRA XLA G BL SHORT**

Indirect heating function: [yes/no]

Direct thermal output: 22.4 (kW)

Indirect thermal output: N/A (kW)

Fuel	Recom- mended fuel (only one):	Other suitable fuel(s):	η_s [%]:	Emission from local space heater at rated heat output				Emission from local space heaters at rated heat output			
				PM	OGC	CO	NO _x	PM	OGC	CO	NO _x
				mg/Nm ³ (13 % O ₂)				mg/Nm ³ (13 % O ₂)			
Chunks of wood of moisture content ≤ 25 %	yes	no	70	40	120	1500	200				
Pressed wood of moisture content ≤ 12 %	no	no									
Other wooden biomass	no	no									
Non-wooden biomass	no	no									
Hard coal and lean coal	no	no									
Metallurgic coke	no	no									
Semi-coke	no	no									
Hard coal	no	no									
Brown coal briquettes	no	no									
Peat briquettes	no	no									
Briquettes made of mixed fossil fuel	no	no									
Other fossil fuel	no	no									
Briquettes made of mix of biomass and fossil fuel	no	no									
Other mixture of biomass and solid fuel	no	no									

Properties in the case of operation only with recommended fuel

Parameter	Designation	Value	Unit	Parameter	Designation	Value	Unit
Thermal output				Performance (calorific value in operating condition)			
Rated heat output	P_{nom}	22.4	kW	Performance at rated thermal power	$\eta_{th,nom}$	80	%
Minimum heat output (indicative)	P_{min}	-	kW	Performance at minimal thermal power (indicative)	$\eta_{th,min}$	N/A	%
Auxiliary power consumption				Type of heat output/control of temperature in the room (choose one option)			
For rated heat output	e_{lmax}	-	kW	single-stage thermal power without temperature control in the room		yes/no	
For minimum heat output	e_{lmin}	--	kW	at least two manual stages without temperature control in the room		yes/no	
In standby mode	e_{lsb}	-	kW	mechanical control of temperature in the room using a thermostat		yes/no	
Energy demand of the fixed ignition flame				electronic control of temperature in the room		yes/no	
Energy demand of the ignition flame (if applicable)	P_{pilot}		kW	electronic control of temperature in the room and daily controller		yes/no	
				electronic control of temperature in the room and weekly controller		yes/no	
				Other control options (you may choose several options)			
				temperature control in the room with presence detection		yes/no	
				temperature control in the room with open window detection		yes/no	
				remote control option		yes/no	

Name/name and surname and address of the manufacturer or his/her authorized representative:

DEFRO R. Dziubeła spółka komandytowa
26-067 Strawczyn
Ruda Strawczyńska 103A

Robert Dziubeła – CEO

DEFRO
home 

DEFRO R. Dziubeła spółka komandytowa

26-067 Strawczyn
Ruda Strawczyńska 103A
tel.: 41 303 80 85
biuro@defro.pl
www.defrohome.pl

Infolinia serwisowa
509 702 720
509 577 900